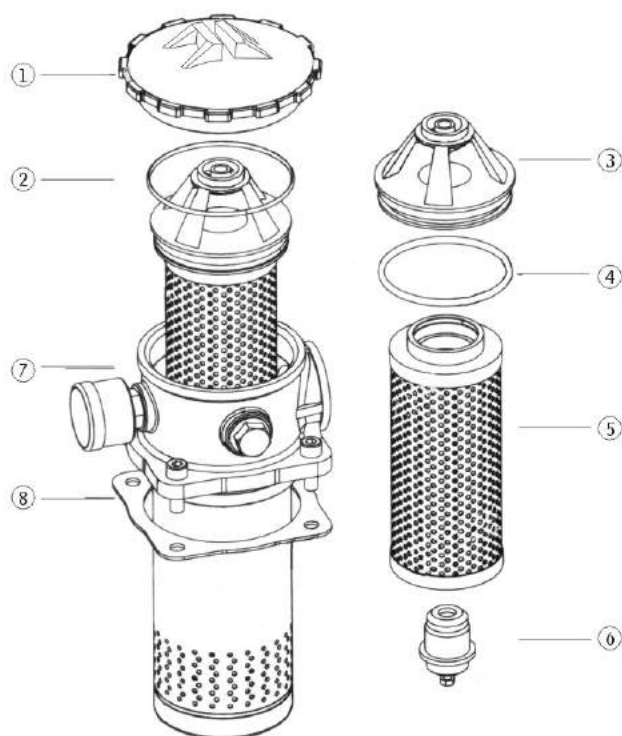


十四、RFA 系列微型直回式回油过滤器 (新型结构代替LHN系列)

RFA TANK MOUNTED MINI-TYPE RETURN FILTER SERIES

INTRODUCTION

This kind of filter can be used in hydraulic system for fine filtration. It can be installed on the cover of the tank. The filter head should be out of the tank and the filter bowl should immerse in the oil. The inlet port has threaded and flanged connections. The filter has indicator and by pass valve. When the dirt accumulates in the filter element or the temperature of the system is too low, and the oil inlet pressure reaches 0.35MPa, the indicator will give signals showing that the filter element should be cleaned, changed or raise the temperature. If no service is done and as the pressure reaches to 0.4MPa, the by pass valve will open automatically to keep the hydraulic system safe. It is easy to change filter element and to inject the oil to the tank: open the filter cover, the filter element could be changed or the oil can be injected into tank. Two oil ports at filter head which are M18X1.5, the indicator can be installed at any part and they can filter some oil which may return to the tank. The filter has fluid diffuse. The fluid diffuser is at bottom of the filter and can help the medium flow stably to the tank and avoid the air reentering. The filter element is made of glass fiber, so it has high filtration accuracy, low initial pressure loss, high dirt-holding capacity and so on. Filter ratio $\beta_3, 5, 10, 20 \geq 200$, filter efficiency $\eta \geq 99.5\%$, and fit the ISO standard.



序号 Number	名称 Name	说明 Note
1	滤盖 Cap	
2	O形密封圈 O-ring	易损件 Wearing parts
3	滤芯定位座 Element locating seat	
4	O形密封圈 O-ring	易损件 Wearing parts
5	滤芯 Element	易损件 Wearing parts
6	旁通阀 By-pass valve	
7	壳体 Housing	
8	密封垫 Seal	易损件 Wearing parts

(三) 安装方法及型号说明 MOUNTING & MODEL CODE

RFA · □ - □ × □ □ - □

微型直回式回油过滤器 Tank mounted mini-type return filter series

BH: 介质为水—乙二醇 Water-glycol

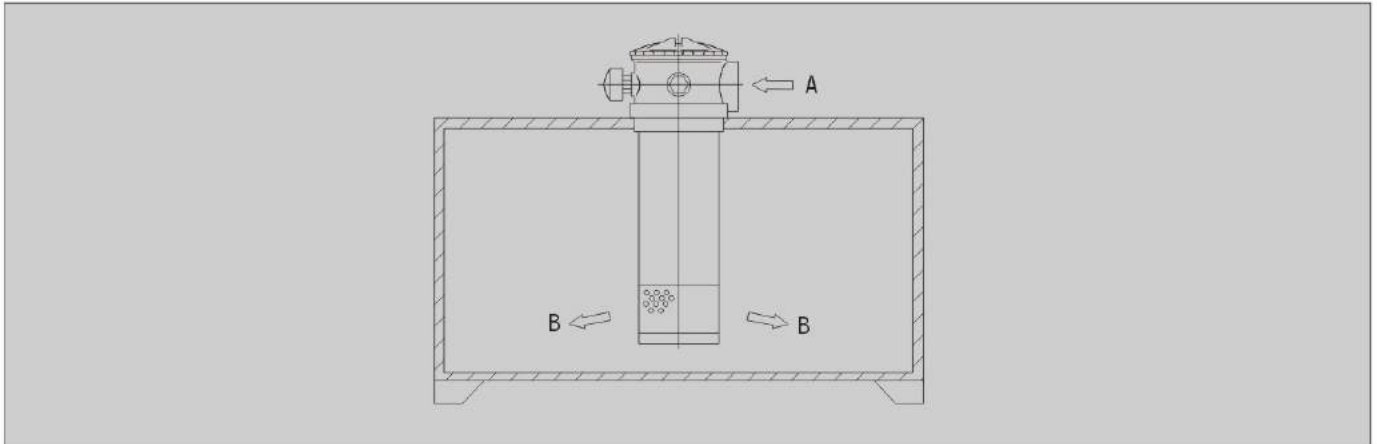
省略: 介质为一般液压油 Omit if use hydraulic oil

公称流量 Flow rate(L/min)

过滤精度 Filtration accuracy(μm)

Y: 带CYB-I型发讯器 \leq DC24V With CYB-I indicator
C: 带CY-II型发讯器 \leq 220V With CY-II indicator
省略不带发讯器 Omit if without indicator

L: 出油口为螺纹连接 Threaded connection
F: 出油口为法兰连接 Flanged connection



(四) 技术参数 TECHNICAL DATA

型号 Model	公称流量 Flow rate (L/min)	过滤精度 Filtr. (μm)	口径 Dia. (mm)	公称压力 Press (MPa)	压力损失 Initial ΔP (Mpa)		发讯装置 Indicator		重量 Weight (Kg)	滤芯型号 Model of element
					Initial	Max.	(V)	(A)		
RFA-25 * L - C	25	1	15	1.6	≤ 0.075	0.35	12	2.5	0.85	FAX-25 * *
RFA-40 * L - C	40		20							FAX-40 * *
RFA-63 * L - C	63	25	FAX-63 * *							
RFA-100 * L - C	100	32	FAX-100 * *							
RFA-160 * L - C	160	5	40				FAX-160 * *			
RFA-250 * F - C	250		50				FAX-250 * *			
RFA-400 * F - C	400	30	65				FAX-400 * *			
RFA-630 * F - C	630		90				FAX-630 * *			
RFA-800 * F - C	800		90				FAX-800 * *			
RFA-1000 * F - C	1000		90				FAX-1000 * *			

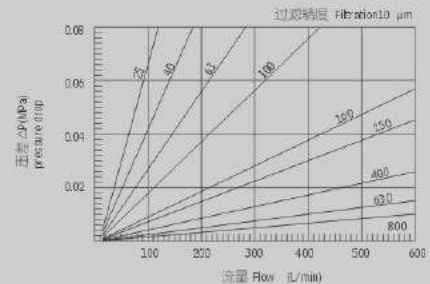
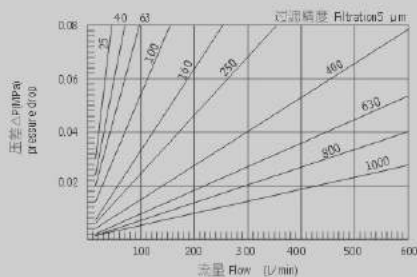
注: *为过滤精度,若使用介质为水—乙二醇,公称流量63L/min,过滤精度10 μm ,带CYB-I型发讯器,则过滤器型号为RFA·BH-63 \times 10Y,滤芯型号为FAX·BH-63 \times 80。

Note: *is filtration accuracy, If the medium is water-glycol, flow rate is 63L/min, filtration accuracy is 10 μm , with CYB-I indicator, the model of this filter is RFA·BH-63 \times 10Y, the model of element is IX·BH-63 \times 80.

(五) 滤芯压差流量曲线 ELEMENT PRESSURE DROP(ΔP) AGAINST FLOW CURVES

滤芯 FAX-* \times *(由试验测得数据)

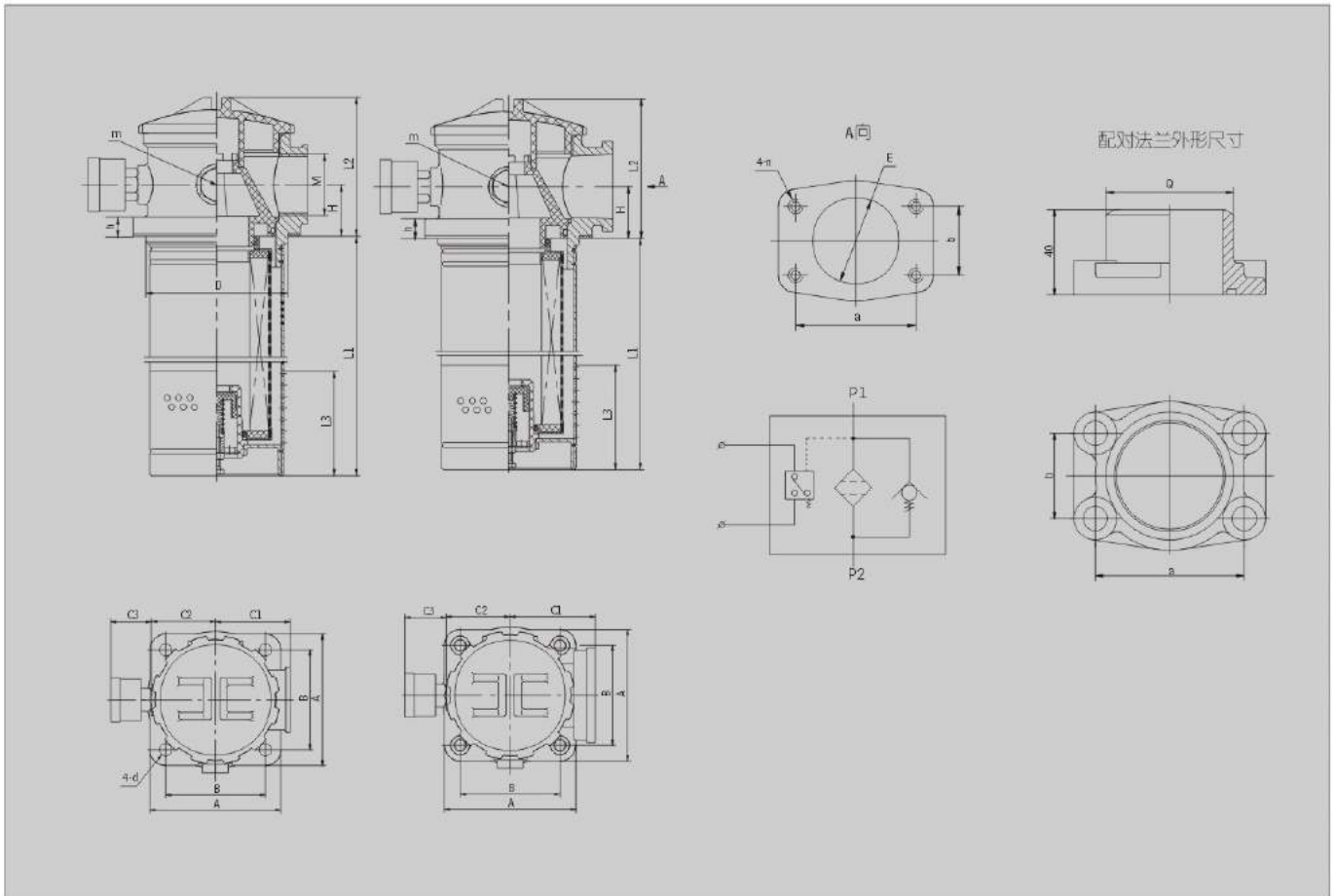
Q- ΔP 曲线 油液粘度 Viscosity 30CST



(五) 连接尺寸 MOUNTING SIZE

1、管式(进油口螺纹连接) Threaded connection

2、法兰式(进油口法兰连接) Flanged Connection



表一：RFA-25-160 管式连接尺寸 Table 1: RFA-25-160 threaded connection

型号 MODEL	尺寸 Size (mm)																		
	L1	L2	L3	H	D	M	m	A	B	C1	C2	C3	d	h					
RFA-25×*L-C _Y	127	74	45	25	φ75	M22×1.5	M18×1.5	90	70	53	45	39	φ9	10					
RFA-40×*L-C _Y	158					M27×2													
RFA-63×*L-C _Y	185	93	60	33	φ95	M33×2								110	85	60	53	φ13	12
RFA-100×*L-C _Y	245					M42×2													
RFA-160×*L-C _Y	322	108	80	40	φ110	M48×2								125	95	71	61	15	

表二：RFA-250-1000 法兰式连接尺寸 Table 2: RFA-250-1000 flanged connection

型号 MODEL	尺寸 Size (mm)																	
	L1	L2	L3	H	D	E	m	a	b	n	A	B	C1	C2	C3	d	Q	h
RFA-250×*F-C _Y	422	108	80	40	φ110	φ50	M18×1.5	70	40	M10	125	95	81	61	39	φ13	60	15
RFA-400×*F-C _Y	467	135	100	55	φ130	φ65		90	50		140	110	90	68			73	15
RFA-630×*F-C _Y	494	175	118	70	φ160	φ90		120	70	170	140	110	85	102			18	
RFA-800×*F-C _Y	606																	
RFA-1000×*F-C _Y	786																	

注：1)本产品所需的进油口法兰盘，安装连接螺栓及密封圈等配件均和本产品配套提供，用户只需准备好φQ的管子焊上即可。

2)2-m为M18×1.5螺孔，可在任何一面安装发讯器或作小回油孔之用，并配装丝堵。

Note: The inlet flange, seal, screw of this series will be supplied by our plant. The customer only need weld steel tube φ Q.