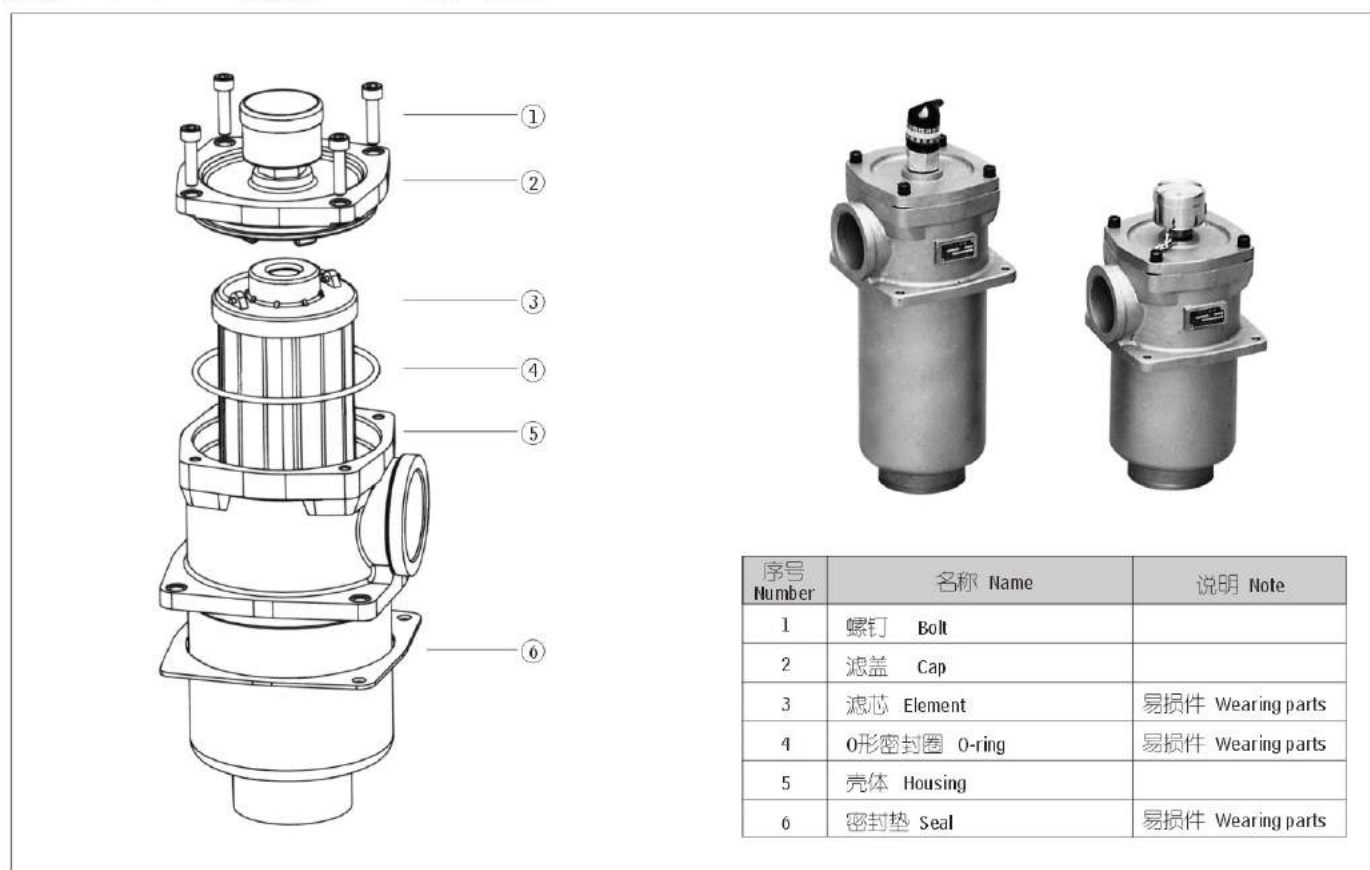


十三、RF系列直回式回油过滤器 (新型)

RF TANK MOUNTED RETURN FILTER SERIES

INTRODUCTION

This kind of filter is used in the hydraulic system for fine filtration. The filter can filter metal impurity, rubber impurity or other contamination, and keep the tank clean. This filter can be installed on the top of the cover directly or installed with pipe. It has indicator and by-pass valve. When the dirt accumulate in the filter element or the temperature of the system is too low, and the oil inlet pressure reaches 0.35Mpa, the indicator will give signals showing that the filter element should be cleaned, changed or rise the temperature. If no service is done and as the pressure reaches to 0.4mpa, the by-pass valve will open. The filter element is made of glass fiber; so it has high filtration accuracy, low initial pressure loss, high dirt-holding capacity and so on. Filter ratio $\beta_{3, 5, 10, 20} > 200$, filter efficiency $\eta \geq 99.5\%$, and fit the ISO standard.



序号 Number	名称 Name	说明 Note
1	螺钉 Bolt	
2	滤盖 Cap	
3	滤芯 Element	易损件 Wearing parts
4	O形密封圈 O-ring	易损件 Wearing parts
5	壳体 Housing	
6	密封垫 Seal	易损件 Wearing parts

(二) 型号说明 MODEL CODE

RF · □ - □ × □ □ - □

直回式回油过滤器

Tank mounted return filter series

BH: 介质为水—乙二醇 Water-glycol

省略: 介质为一般液压油 Omit if use hydraulic oil

公称流量(L/min) Flow rate

省略不带发讯器 Omit without indicator

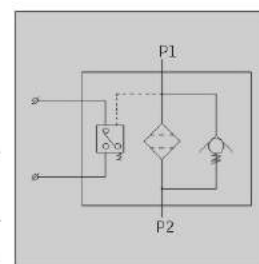
Y: 带CYB-I型发讯器 $\leq 24V$ With CYB-I indicator

C: 带CY-II型发讯器 $\leq 220V$ With CY-II indicator

L: 为螺纹连接 Threaded connection

F: 为法兰连接 Flanged connection

过滤精度(μm) Filtration accuracy



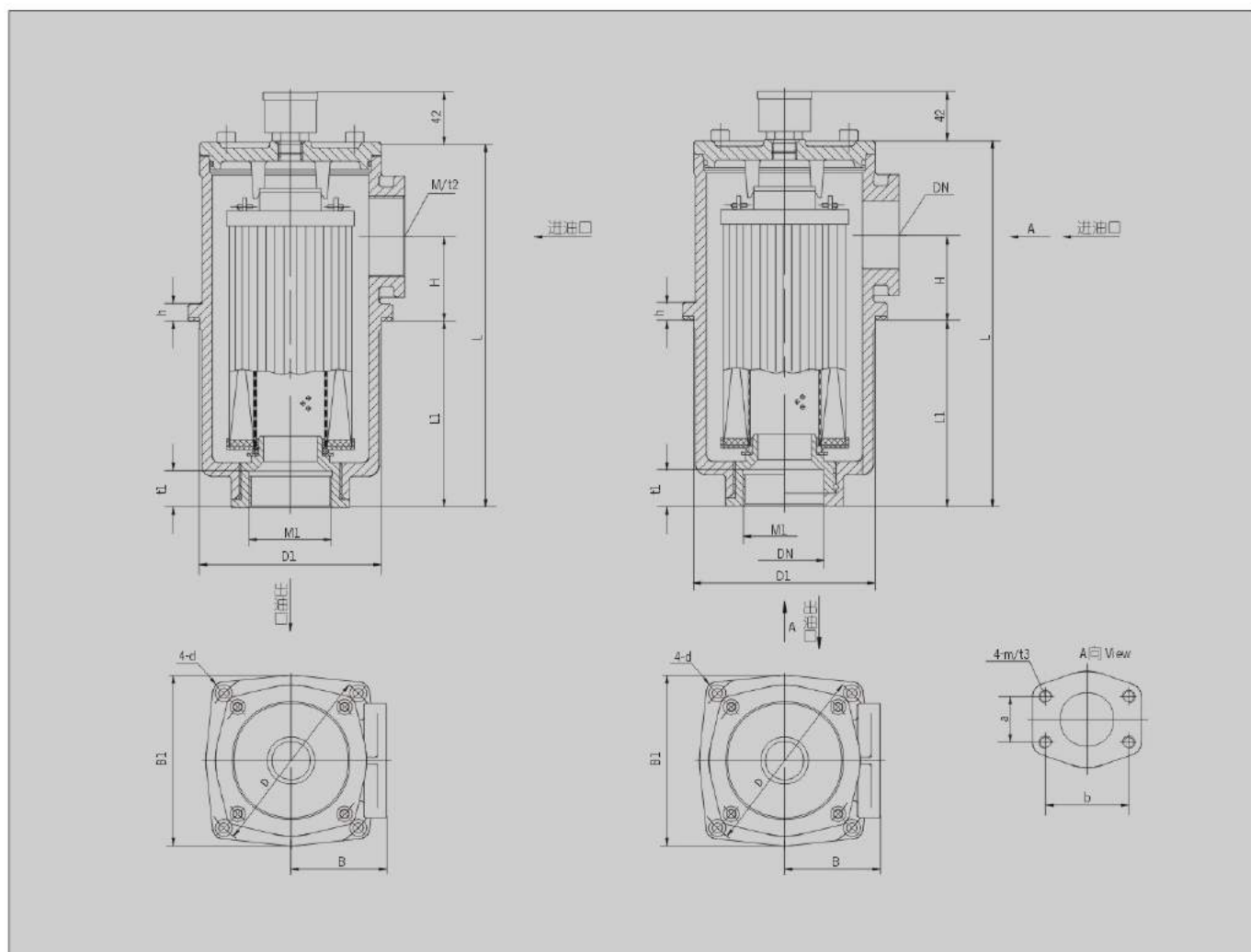
(三) 技术参数 TECHNICAL DATA

型号 Model	公称流量 Flow rate (L/min)	过滤精度 Filtr. (μm)	通径 Dia. (mm)	公称压力 Press (MPa)	压力损失 Initial ΔP (Mpa)		发讯装置 Indicator		重量 Weight (Kg)	滤芯型号 Model of element																
					Initial	Max.	(V)	(A)																		
RF-60 × *	60	1	20	1	≤ 0.07	0.35	12	2.5	0.4	XY0060R* BN/HC																
RF-110 × *	110										40	0.9	XY0110R* BN/HC													
RF-160 × *	160		50											1.1	XY0160R* BN/HC											
RF-240 × *	240										80					1.8	XY0240R* BN/HC									
RF-330 × *	330		90															2.3	XY0330R* BN/HC							
RF-500 × *	500										100									3.2	XY0500R* BN/HC					
RF-660 × *	660																					4.1	XY0660R* BN/HC			
RF-850 × *	850																							13	XY0850R* BN/HC	
RF-950 × *	950																									20
RF-1300 × *	1300																									

注：*为过滤精度，若使用介质为水-乙二醇，公称流量160L/min，过滤精度10 μm ，带CYB-I型发讯器，则过滤器型号为RF·BH-160 \times 10Y，滤芯型号为XY0160R010BN/HC。

Note:*is filtration accuracy, If the medium is water-glycol, flow rate is 160L/min,filtration accuracy is 10 μm , with CYB-I indicator, the model of this filter is RF · BH-160 \times 80Y, the model of element is XY0160R010BN/HC.

(四) 连接尺寸 MOUNTING SIZE



型号 Model	尺寸 Size (mm)																	
	B1	L	L1	h	D1	H	D	d	M	t2	B	M1	t1	m	t3	a	b	DN
RF-60 × L - Y	90	166	92	11	φ 80	34	φ 100	φ 5.5	M27 × 2	16	48	M27 × 2	16	/	/	/	/	/
RF-110 × L - Y		233	150						M33 × 2			M33 × 2						
RF-160 × L - Y	120	209	120	11	φ 106	40	φ 135	φ 7	M48 × 2	20	66	M48 × 2	20	/	/	/	/	/
RF-240 × L - Y		268	179						M48 × 2			M48 × 2						
RF-330 × L - Y	152	271	138	13	φ 135	63	φ 170	φ 9	M60 × 2	27	85	M60 × 2	27	/	/	/	/	/
RF-500 × F - Y									/			351						
RF-600 × F - Y		/	411						243	/	/	/	/	/	/	/	/	/
RF-650 × F - Y	196	492	324	13	φ 175	83	φ 220	φ 13.5	/	110	/	/	/	/	/	/	/	/
RF-950 × F - Y		449	251						/			/						
RF-950 × F - Y	255	449	251	14	φ 208	93	φ 290	φ 17.5	/	135	/	/	/	/	/	/	/	/
RF-1300 × F - Y		573	332			121			/			/						

注：用户若需英制接口螺纹，请在型号后注上英制螺纹的尺寸。

(五) 滤芯压差流量曲线 ELEMENT PRESSURE DROP (ΔP) AGAINST FLOW CURVES

滤芯 XY-R-BN/HC (由试验测得数据)
Q-ΔP 曲线 油液粘度 viscosity 30CST

