

TECHNICAL DATA

Body Type	Line mount
Interface	None
Body Features	Ninety degree
Mounting Hole Diameter	.34 in.
Mounting Hole Depth	Through
Mounting Hole Quantity	2
Open Cavities	1
Cavity	T-11A
Port Size	SAE 6
Model Weight	0.74 lb.

NOTES

Important: Carefully consider the maximum system pressure. The pressure rating of the manifold is dependent on the manifold material, with the port type/size a secondary consideration. Manifolds constructed of aluminum are not rated for pressures higher than 3000 psi (210 bar), regardless of the port type/size specified.

PORT DESIGNATORS

Modifiers	Ports
ECI, /S	All Ports: SAE 6;

CONFIGURATION OPTIONS

Model Code Example: ECI

MODIFIER

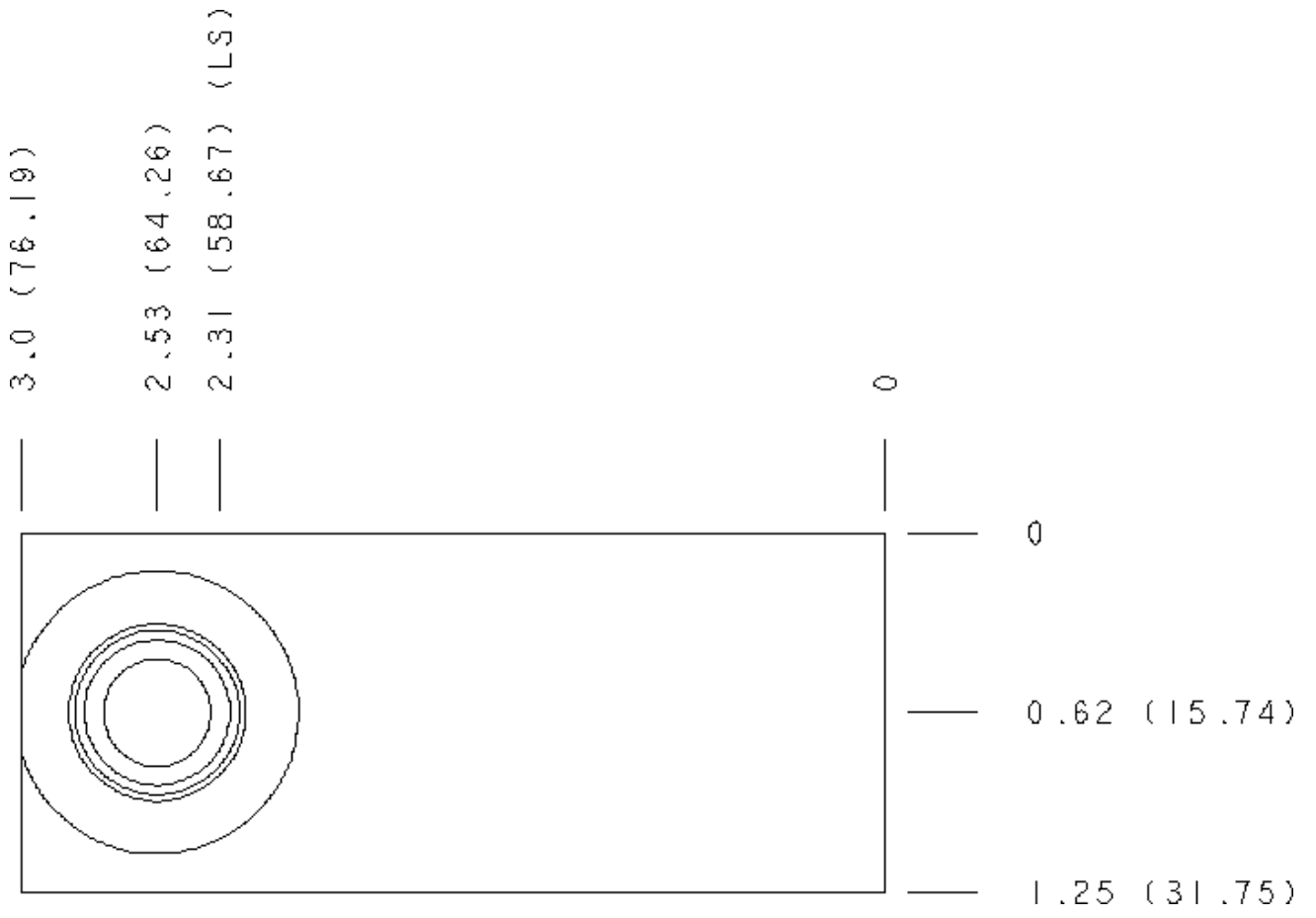
- 6061-T651 Aluminum, Buna-N
- /S 65-45-12 Ductile Iron, Buna-N, Blackened

MANIFOLD FACES

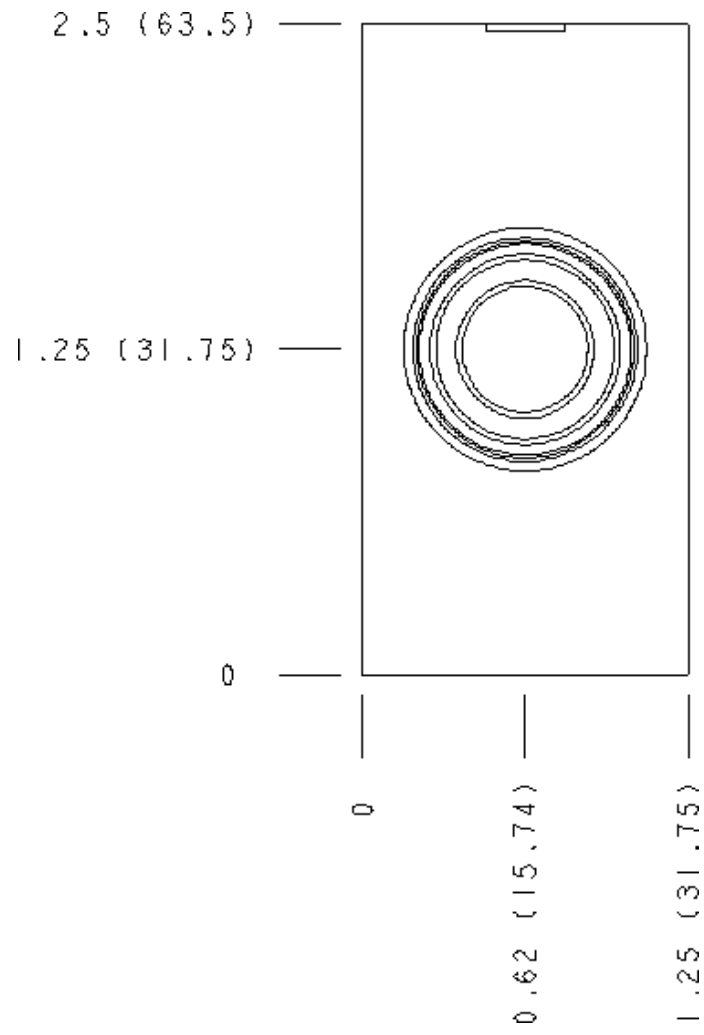
FACE GRID

1	2	3	4
5	6	7	8
9	10	11	12

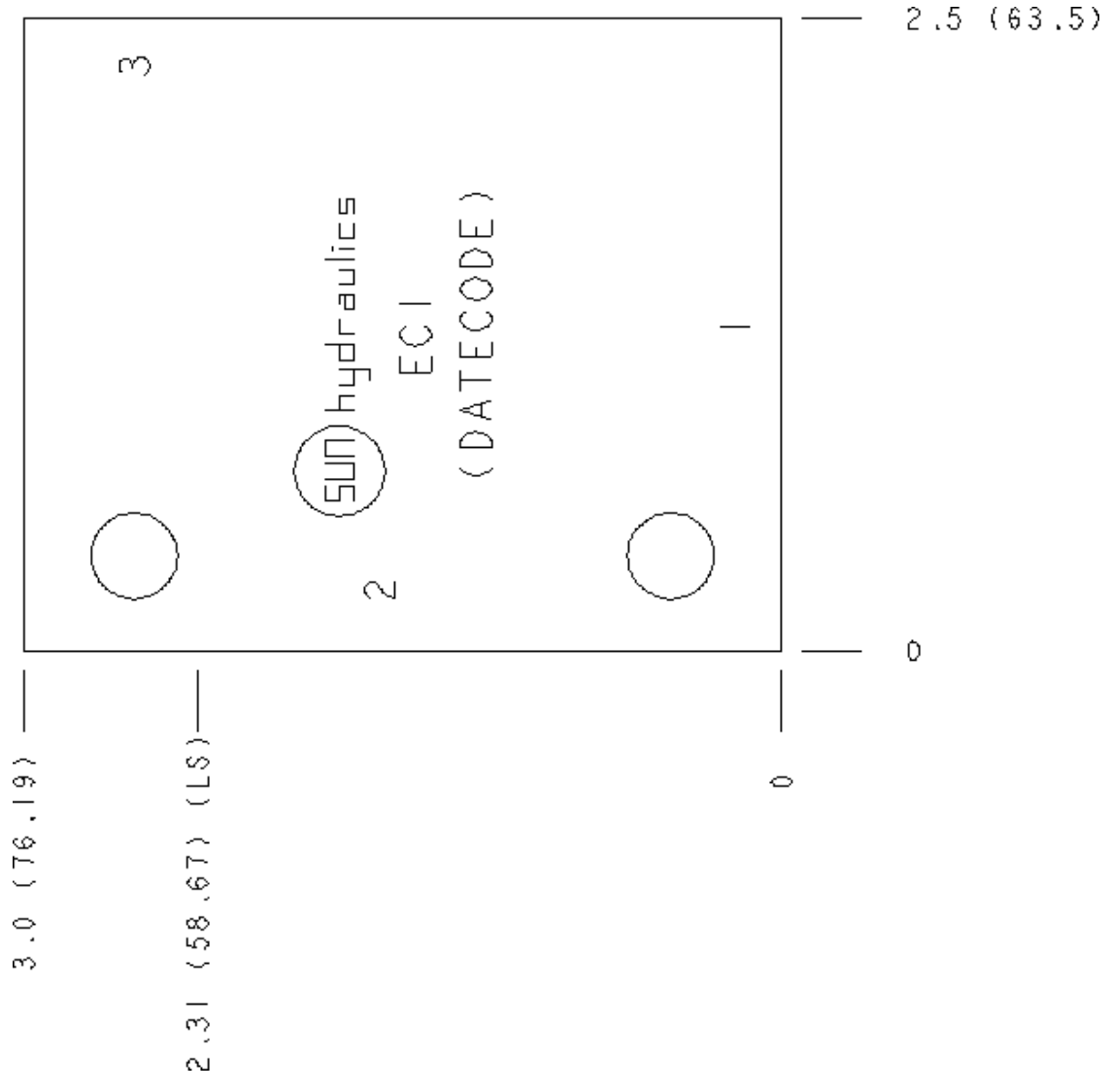
Face 2



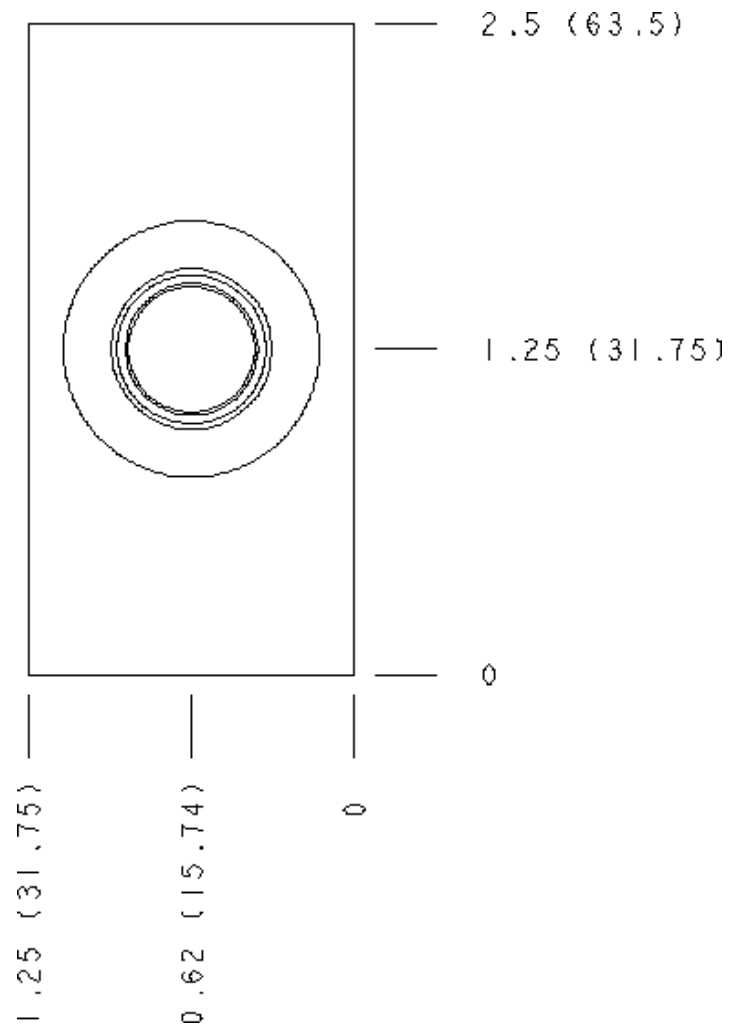
Face 5



Face 6



Face 7



Face 10

