

TECHNICAL DATA

Body Type	Line mount
Interface	None
Body Features	Ninety degree
Mounting Hole Diameter	.28 in.
Mounting Hole Depth	Through
Mounting Hole Quantity	1
Open Cavities	1
Cavity	T-162A
Port Size	1/2" BSPP
Model Weight	0.43 lb.

NOTES

Important: Carefully consider the maximum system pressure. The pressure rating of the manifold is dependent on the manifold material, with the port type/size a secondary consideration. Manifolds constructed of aluminum are not rated for pressures higher than 3000 psi (210 bar), regardless of the port type/size specified.

PORT DESIGNATORS

Modifiers	Ports
AAV	All Ports: 1/2" BSPP;

CONFIGURATION OPTIONS

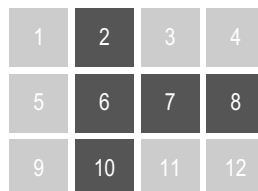
Model Code Example: AAV

MODIFIER

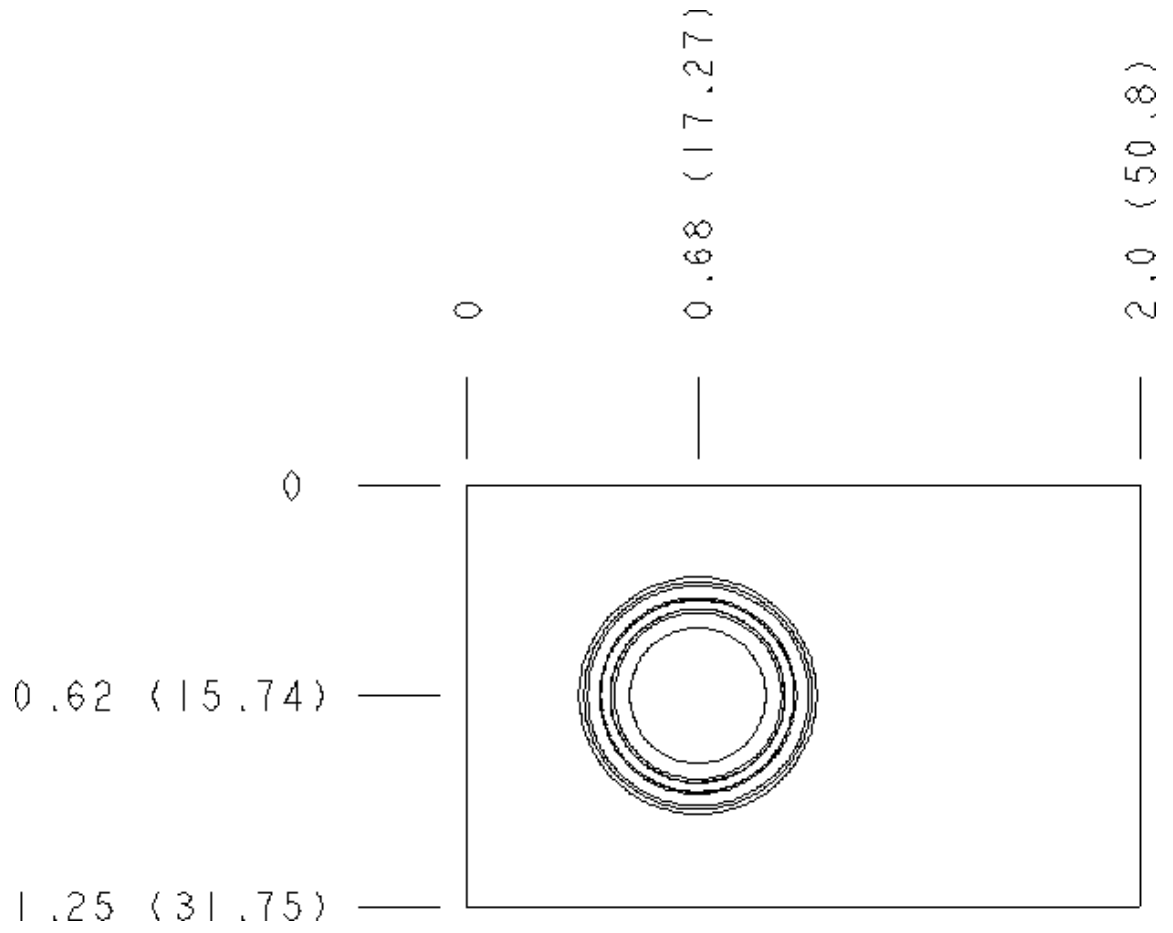
6061-T651 Aluminum, Buna-N
/S 65-45-12 Ductile Iron, Buna-N, Blackened

MANIFOLD FACES

FACE GRID

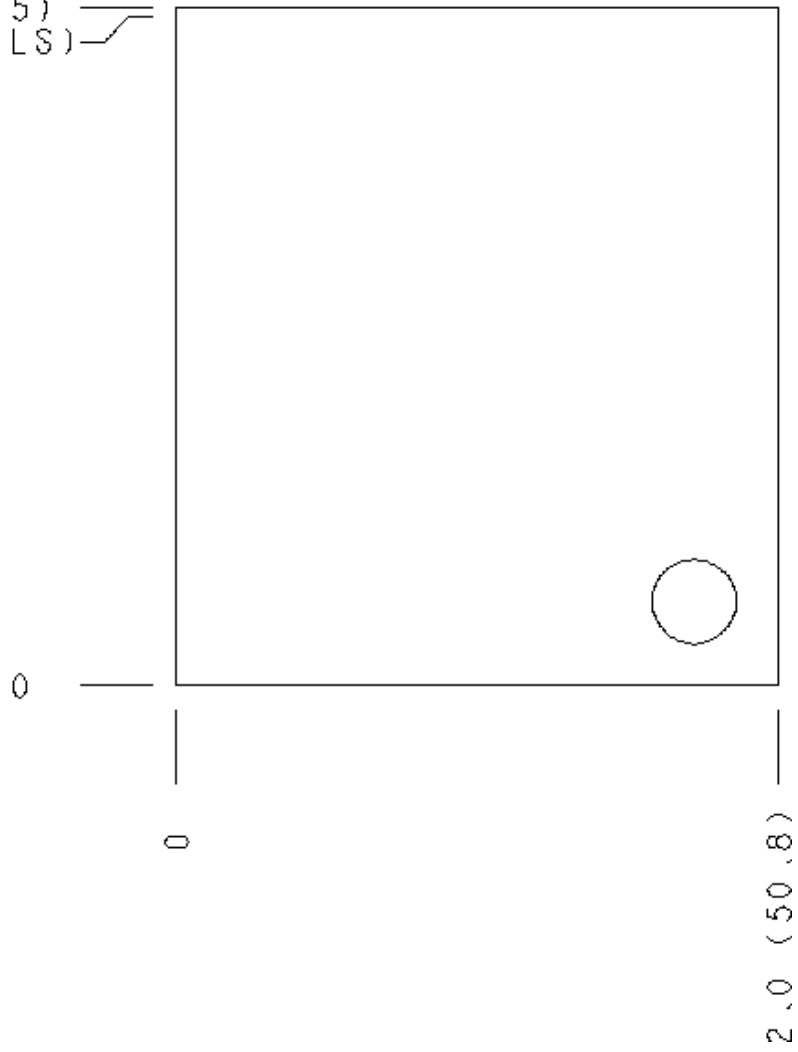


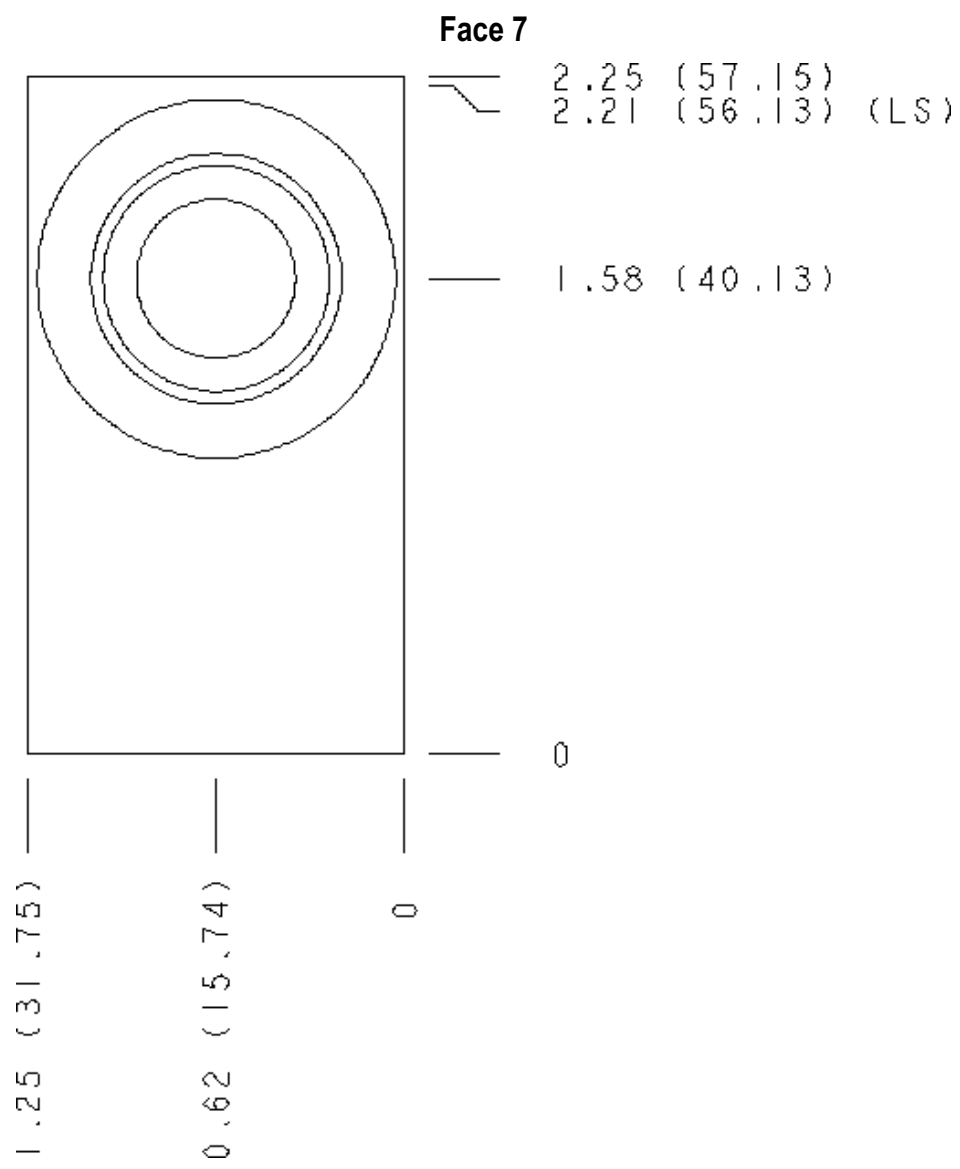
Face 2



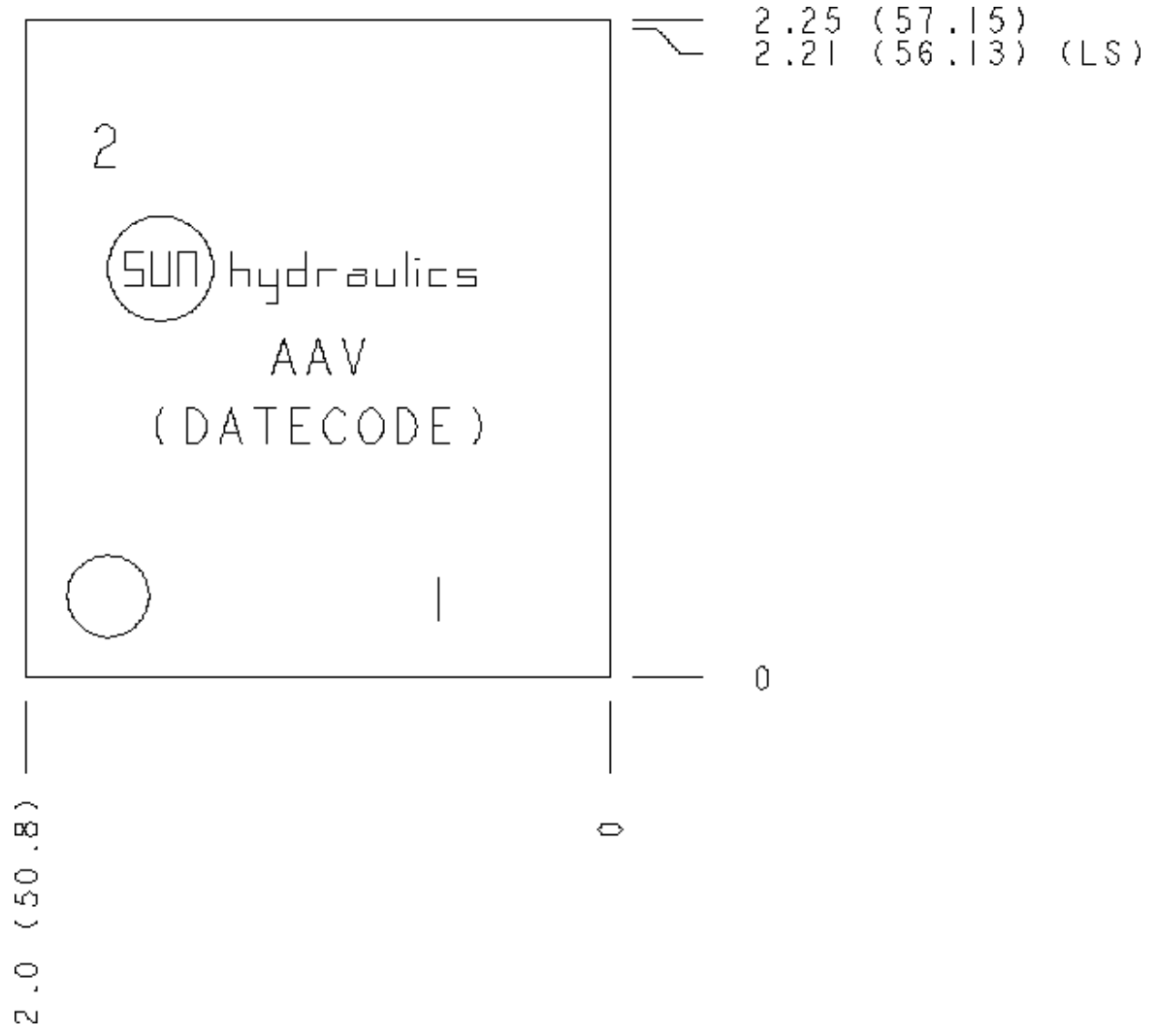
Face 6

2.21 2.25 (57.15)
(56.13) (LS)





Face 8



Face 10

