

**TECHNICAL DATA**

Body Type	Line mount
Interface	None
Body Features	Ninety degree
Mounting Hole Diameter	.42 in.
Mounting Hole Depth	Through
Mounting Hole Quantity	1
Open Cavities	1
Cavity	T-3A
Port Size	3/4" NPTF
Model Weight	0.61 lb.

**NOTES** *Important:* Carefully consider the maximum system pressure. The pressure rating of the manifold is dependent on the manifold material, with the port type/size a secondary consideration. Manifolds constructed of aluminum are not rated for pressures higher than 3000 psi (210 bar), regardless of the port type/size specified.

**PORT DESIGNATORS**

Modifiers	Ports
CAD, /10, /11	Ports 1 & 2: 3/4" NPTF;

**CONFIGURATION OPTIONS**

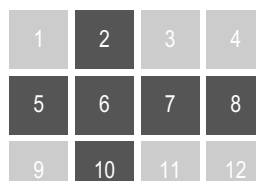
Model Code Example: CAD

**MODIFIER**

- 6061-T651 Aluminum, Buna-N**
- /11 6061-T651 Aluminum, Buna-N, Clear Anodize - Per MIL SPEC 8625F Type II, Class I
- /10 6061-T651 Aluminum, Buna-N, Black Anodize - Per MIL SPEC 8625F Type II, Class II
- /S 65-45-12 Ductile Iron, Buna-N, Chem. Black
- /S3 65-45-12 Ductile Iron, Buna-N, Trivalent Clear Zinc with Top Sealer

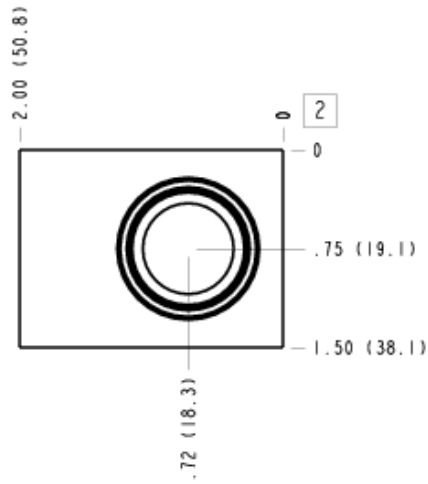
**MANIFOLD FACES**

**FACE GRID**

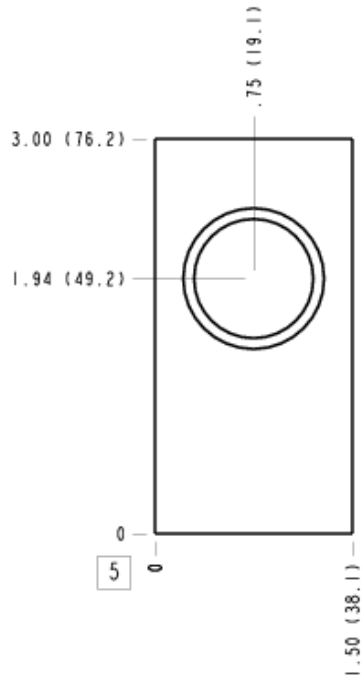




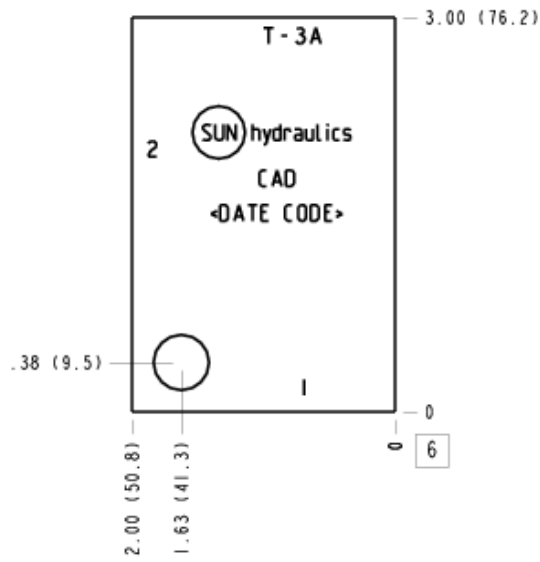
### Face 2



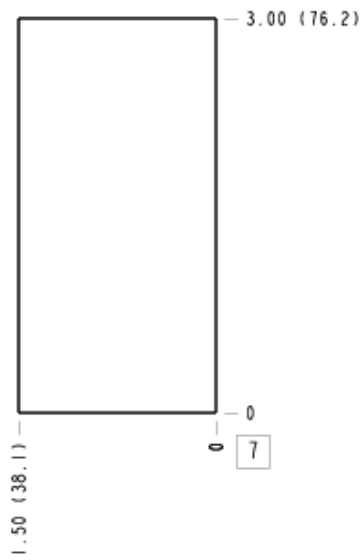
### Face 5



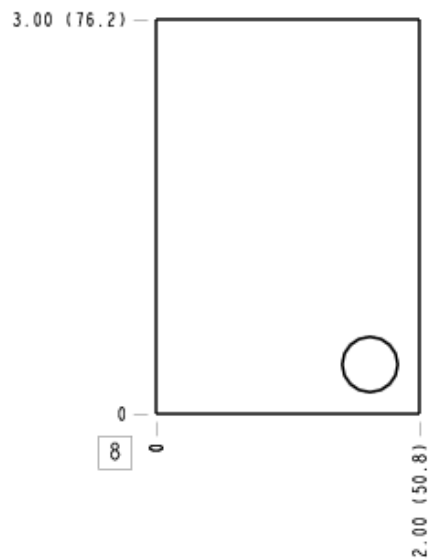
### Face 6



### Face 7



### Face 8



# Face 10

