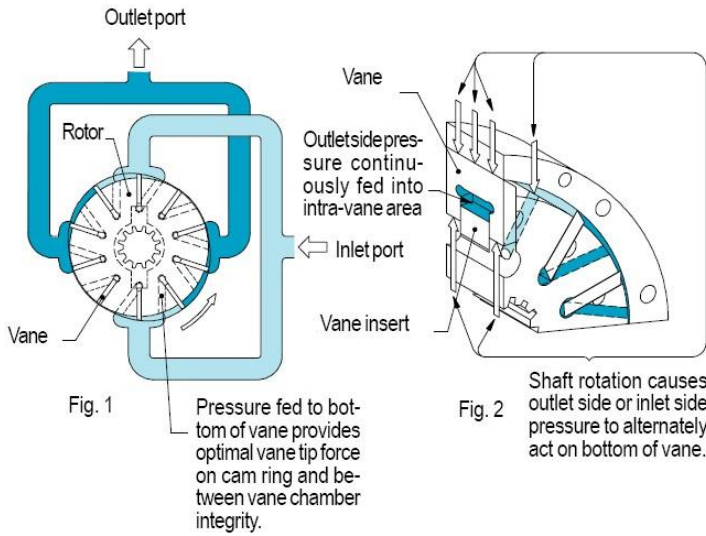


# Hydraulic Eaton Vickers VQ Vane Pump

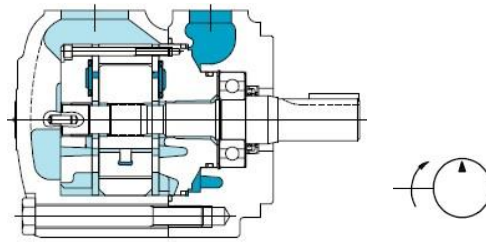
V and VQ series of single and double vane pump

## Intra-vane Mechanism



## Features

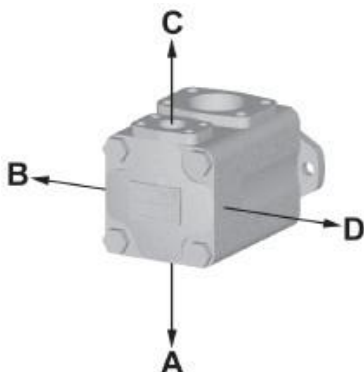
- Eaton Vickers V and VQ series are fixed displacement and balanced type hydraulic vane pumps. Available in both 12 vanes design for industrial application with quiet operating and 10 vanes design for mobile application with higher pressure and wider range of speed. They are widely used in hydraulic systems for machine-tools, presses, die casting machine, engineering, plastic injection molding and other machineries.
- Its interchangeable with original Vickers hydraulic pump of the same model.
- The inlet or outlet ports can be rotated through increments of 90° in relation to each other, providing application flexibility and easy installation.
- With the cartridge independent of the shaft, allowing for easy change of flow capacity and field servicing without removing the pump from its mounting.
- For the vane pump cartridge kit of VQ Series, the flexible plates are inserted between the support plates and the rotor. The flexible plates are assembled with the bronze facing towards the rotor to improve cold start capability and compensate thermal expansion in the rotor. This makes VQ Series particularly suited for mobile application.



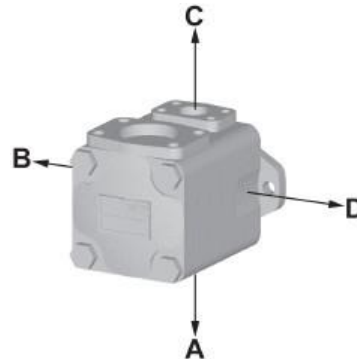
## Single vane pump ordering code:

25	VQ	21	A	- 1	A	22	L	V
Model: 20, 25, 35, 45, 50	Series: V=industrial VQ=mobile	Displacement code	Port connections: A=SAE 4-bolt flange	Shaft type: 1=straight keyed 86=heavy duty keyed 11, 151=splined	Outlet port position: A=opposite inlet port B= -90° CCW from inlet C=inline with inlet D= -90° CW from inlet	Design number	Rotation: Viewed from shaft end R=clockwise (blank) L=anti-clockwise	Seal: Blank=buna V=viton

Port Positions for 20V/VQ:



Port Positions for 25V/VQ, 35 V/VQ, 45 V/VQ:



## Vickers VQ hydraulic vane pump model

Vane pump	Displacement	A=opposite inlet port	B=- 90° CCW from inlet	C=inline with inlet	D=- 90° CW from inlet
20VQ single vane pum	5 GPM	20VQ 5A 1A 22R	20VQ 5A 1B 22R	20VQ 5A 1C 22R	20VQ 5A 1D 22R
	8 GPM	20VQ 8A 1A 22R	20VQ 8A 1B 22R	20VQ 8A 1C 22R	20VQ 8A 1D 22R
	9 GPM	20VQ 9A 1A 22R	20VQ 9A 1B 22R	20VQ 9A 1C 22R	20VQ 9A 1D 22R
	11 GPM	20VQ 11A 1A 22R	20VQ 11A 1B 22R	20VQ 11A 1C 22R	20VQ 11A 1D 22R
	12 GPM	20VQ 12A 1A 22R	20VQ 12A 1B 22R	20VQ 12A 1C 22R	20VQ 12A 1D 22R
	14 GPM	20VQ 14A 1A 22R	20VQ 14A 1B 22R	20VQ 14A 1C 22R	20VQ 14A 1D 22R
25VQ single vane pum	10 GPM	25VQ 10A 1A 22R	25VQ 10A 1B 22R	25VQ 10A 1C 22R	25VQ 10A 1D 22R
	12 GPM	25VQ 12A 1A 22R	25VQ 12A 1B 22R	25VQ 12A 1C 22R	25VQ 12A 1D 22R
	14 GPM	25VQ 14A 1A 22R	25VQ 14A 1B 22R	25VQ 14A 1C 22R	25VQ 14A 1D 22R
	17 GPM	25VQ 17A 1A 22R	25VQ 17A 1B 22R	25VQ 17A 1C 22R	25VQ 17A 1D 22R
	19 GPM	25VQ 19A 1A 22R	25VQ 19A 1B 22R	25VQ 19A 1C 22R	25VQ 19A 1D 22R
	21 GPM	25VQ 21A 1A 22R	25VQ 21A 1B 22R	25VQ 21A 1C 22R	25VQ 21A 1D 22R
35VQ single vane pum	21 GPM	35VQ 21A 1A 22R	35VQ 21A 1B 22R	35VQ 21A 1C 22R	35VQ 21A 1D 22R
	25 GPM	35VQ 25A 1A 22R	35VQ 25A 1B 22R	35VQ 25A 1C 22R	35VQ 25A 1D 22R
	30 GPM	35VQ 30A 1A 22R	35VQ 30A 1B 22R	35VQ 30A 1C 22R	35VQ 30A 1D 22R
	35 GPM	35VQ 35A 1A 22R	35VQ 35A 1B 22R	35VQ 35A 1C 22R	35VQ 35A 1D 22R
	38 GPM	35VQ38A 1A 22R	35VQ38A 1B 22R	35VQ38A 1C 22R	35VQ38A 1D 22R
45VQ single vane pum	42 GPM	45VQ 42A 1A 22R	45VQ 42A 1B 22R	45VQ 42A 1A 22R	45VQ 42A 1D 22R
	45 GPM	45VQ 45A 1A 22R	45VQ 45A 1B 22R	45VQ 45A 1A 22R	45VQ 45A 1D 22R
	50 GPM	45VQ 50A 1A 22R	45VQ 50A 1B 22R	45VQ 50A 1A 22R	45VQ 50A 1D 22R
	57 GPM	45VQ 57A 1A 22R	45VQ 57A 1B 22R	45VQ 57A 1A 22R	45VQ 57A 1D 22R
	60 GPM	45VQ 60A 1A 22R	45VQ 60A 1B 22R	45VQ 60A 1A 22R	45VQ 60A 1D 22R
Vane pump	Displacement	A=opposite inlet port	B=- 90° CCW from inlet	C=inline with inlet	D=- 90° CW from inlet
2520VQ double vane pump	Front and rear 5, 8,9, 11,12, 14, 17, 19, 21	2520VQ 10A5 1CC 22R	2520VQ 12A5 1CC 22R	2520VQ 14A5 1CC 22R	2520VQ 17A5 1CC 22R
		2520VQ 10A8 1CC 22R	2520VQ 12A8 1CC 22R	2520VQ 14A8 1CC 22R	2520VQ 17A8 1CC 22R
		2520VQ 10A9 1CC 22R	2520VQ 12A9 1CC 22R	2520VQ 14A9 1CC 22R	2520VQ 17A9 1CC 22R
		2520VQ 10A11 1CC 22R	2520VQ 12A11 1CC 22R	2520VQ 14A11 1CC 22R	2520VQ 17A11 1CC 22R
		2520VQ 10A12 1CC 22R	2520VQ 12A12 1CC 22R	2520VQ 14A12 1CC 22R	2520VQ 17A12 1CC 22R
		2520VQ 10A14 1CC 22R	2520VQ 12A14 1CC 22R	2520VQ 14A14 1CC 22R	2520VQ 17A14 1CC 22R
3520VQ double vane pump	Front and rear 5, 8,9, 11,12, 14, 21,25, 30, 35, 38	3520VQ 25A5 1CC 22R	3520VQ 30A5 1CC 22R	3520VQ 35A5 1CC 22R	3520VQ 38A5 1CC 22R
		3520VQ 25A8 1CC 22R	3520VQ 30A8 1CC 22R	3520VQ 35A8 1CC 22R	3520VQ 38A8 1CC 22R
		3520VQ 25A9 1CC 22R	3520VQ 30A9 1CC 22R	3520VQ 35A9 1CC 22R	3520VQ 38A9 1CC 22R
		3520VQ 25A11 1CC 22R	3520VQ 30A11 1CC 22R	3520VQ 35A11 1CC 22R	3520VQ 38A11 1CC 22R
		3520VQ 25A12 1CC 22R	3520VQ 30A12 1CC 22R	3520VQ 35A12 1CC 22R	3520VQ 38A12 1CC 22R
		3520VQ 25A14 1CC 22R	3520VQ 30A14 1CC 22R	3520VQ 35A14 1CC 22R	3520VQ 38A14 1CC 22R
3525VQ double vane pump	Front and rear 10,12, 14, 17,19,21,25, 30, 35, 38	3525VQ 25A10 1CC 22R	3525VQ 25A12 1CC 22R	3525VQ 25A14 1CC 22R	3525VQ 25A17 1CC 22R
		3525VQ 30A10 1CC 22R	3525VQ 30A12 1CC 22R	3525VQ 30A14 1CC 22R	3525VQ 30A17 1CC 22R
		3525VQ 35A10 1CC 22R	3525VQ 35A12 1CC 22R	3525VQ 35A14 1CC 22R	3525VQ 35A17 1CC 22R
		3525VQ 38A10 1CC 22R	3525VQ 38A12 1CC 22R	3525VQ 38A14 1CC 22R	3525VQ 38A17 1CC 22R
4520VQ double vane pump	Front and rear 5, 8, 9, 11,12, 14, 42, 45, 50, 57, 60	4520VQ 42A5 1AA 22R	4520VQ 45A5 1AA 22R	4520VQ 50A5 1AA 22R	4520VQ 60A5 1AA 22R
		4520VQ 42A8 1AA 22R	4520VQ 45A8 1AA 22R	4520VQ 50A8 1AA 22R	4520VQ 60A8 1AA 22R
		4520VQ 42A9 1AA 22R	4520VQ 45A9 1AA 22R	4520VQ 50A9 1AA 22R	4520VQ 60A9 1AA 22R
		4520VQ 42A11 1AA 22R	4520VQ 45A11 1AA 22R	4520VQ 50A11 1AA 22R	4520VQ 60A11 1AA 22R
		4520VQ 42A12 1AA 22R	4520VQ 45A12 1AA 22R	4520VQ 50A12 1AA 22R	4520VQ 60A12 1AA 22R
		4520VQ 42A14 1AA 22R	4520VQ 45A14 1AA 22R	4520VQ 50A14 1AA 22R	4520VQ 60A14 1AA 22R
4535VQ double vane pump	Front and rear 21, 25, 30, 35, 38, 42, 45, 50, 57, 60	4535VQ 42A25 1AA 22R	4535VQ 45A25 1AA 22R	4535VQ 50A25 1AA 22R	4535VQ 60A25 1AA 22R
		4535VQ 42A30 1AA 22R	4535VQ 45A30 1AA 22R	4535VQ 50A30 1AA 22R	4535VQ 60A30 1AA 22R
		4535VQ 42A35 1AA 22R	4535VQ 45A35 1AA 22R	4535VQ 50A35 1AA 22R	4535VQ 60A35 1AA 22R
		4535VQ 42A38 1AA 22R	4535VQ 45A38 1AA 22R	4535VQ 50A38 1AA 22R	4535VQ 60A38 1AA 22R