

Designation & Ordering code

COMPLETE FILTER

Series and size	Configuration example 1: FRI025 B A G1 A25 N P01						
FRI025	Configuration example 2: FRI040 S W G2 M25 N P01						
FRI040							
Bypass valve							
B With bypass							
S Without bypass							
Seals and treatments	Filtration rating						
A NBR	Axx	Mxx	Pxx				
V FPM	•	•	•				
W NBR head anodized	•	•					
Z FPM head anodized	•	•					
	filter element compatible with fluids HFA-HFB-HFC						
Connections for FRI025	Connections for FRI040						
G1 G 1/2"	G 3/4"						
G2 1/2" NPT	3/4" NPT						
G3 SAE 8 - 3/4" - 16 UNF	SAE 12 - 1 1/16" - 12 UN						
Filtration rating (filter media)							
A03 Inorganic microfiber 3 µm	M25 Wire mesh 25 µm						
A06 Inorganic microfiber 6 µm	M60 Wire mesh 60 µm						
A10 Inorganic microfiber 10 µm	M90 Wire mesh 90 µm						
A16 Inorganic microfiber 16 µm	P10 Resin impregnated paper 10 µm						
A25 Inorganic microfiber 25 µm	P25 Resin impregnated paper 25 µm						
	Element Δp		Execution				
	N 10 bar		P01 MP Filtri standard				
			Pxx Customized				

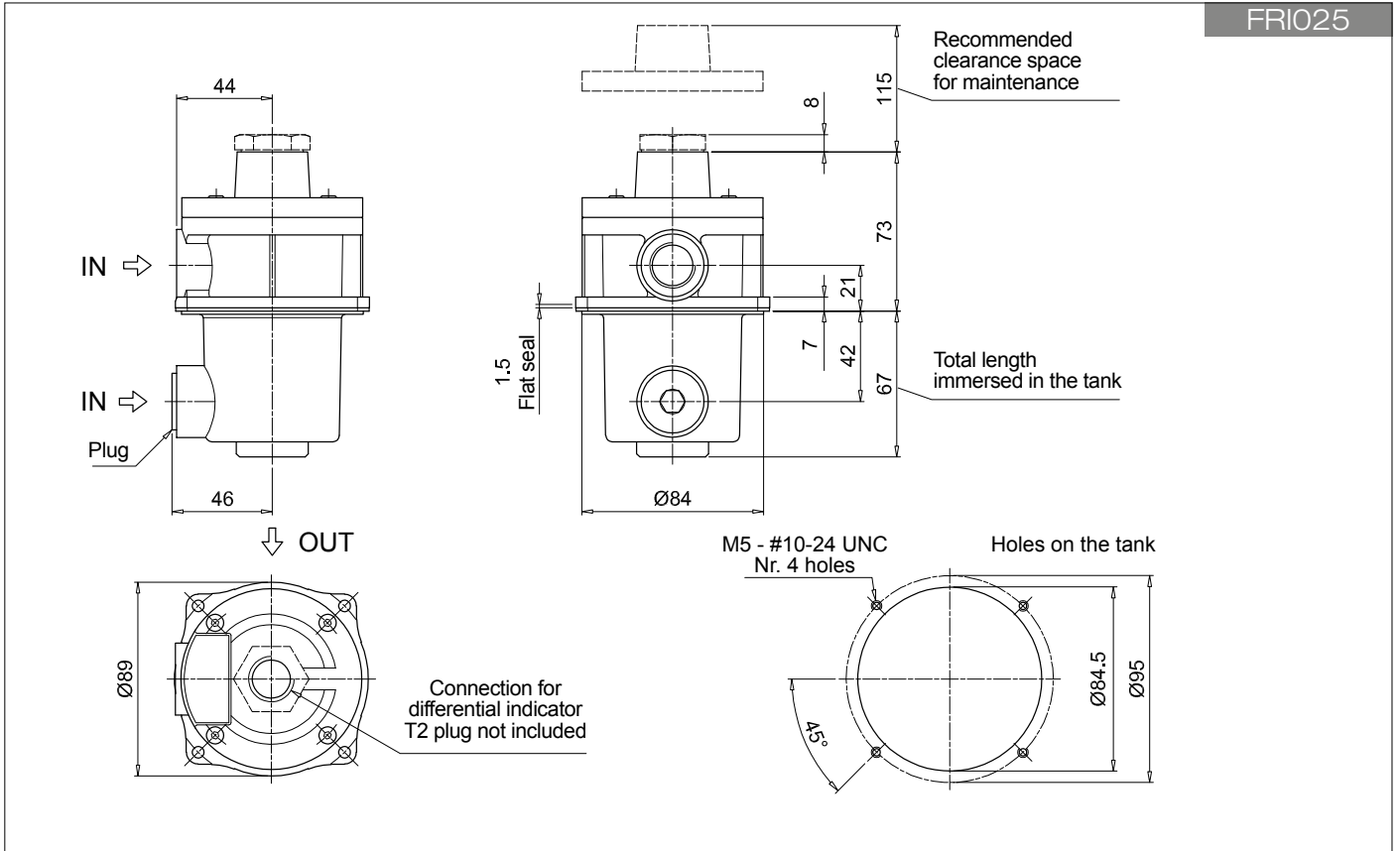
FILTER ELEMENT

Element series and size	Configuration example 1: CU025 A25 N P01			
CU025	Configuration example 2: CU040 M25 W P01			
CU040				
Filtration rating (filter media)				
A03 Inorganic microfiber 3 µm	M25 Wire mesh 25 µm			
A06 Inorganic microfiber 6 µm	M60 Wire mesh 60 µm			
A10 Inorganic microfiber 10 µm	M90 Wire mesh 90 µm			
A16 Inorganic microfiber 16 µm	P10 Resin impregnated paper 10 µm			
A25 Inorganic microfiber 25 µm	P25 Resin impregnated paper 25 µm			
Seals and treatments	Filtration rating			
N NBR	Axx	Mxx	Pxx	
V FPM	•	•	•	
W NBR	•	•		
Z FPM	•	•		
	filter element compatible with fluids HFA-HFB-HFC			
	Execution			
	P01 MP Filtri standard			
	Pxx Customized			

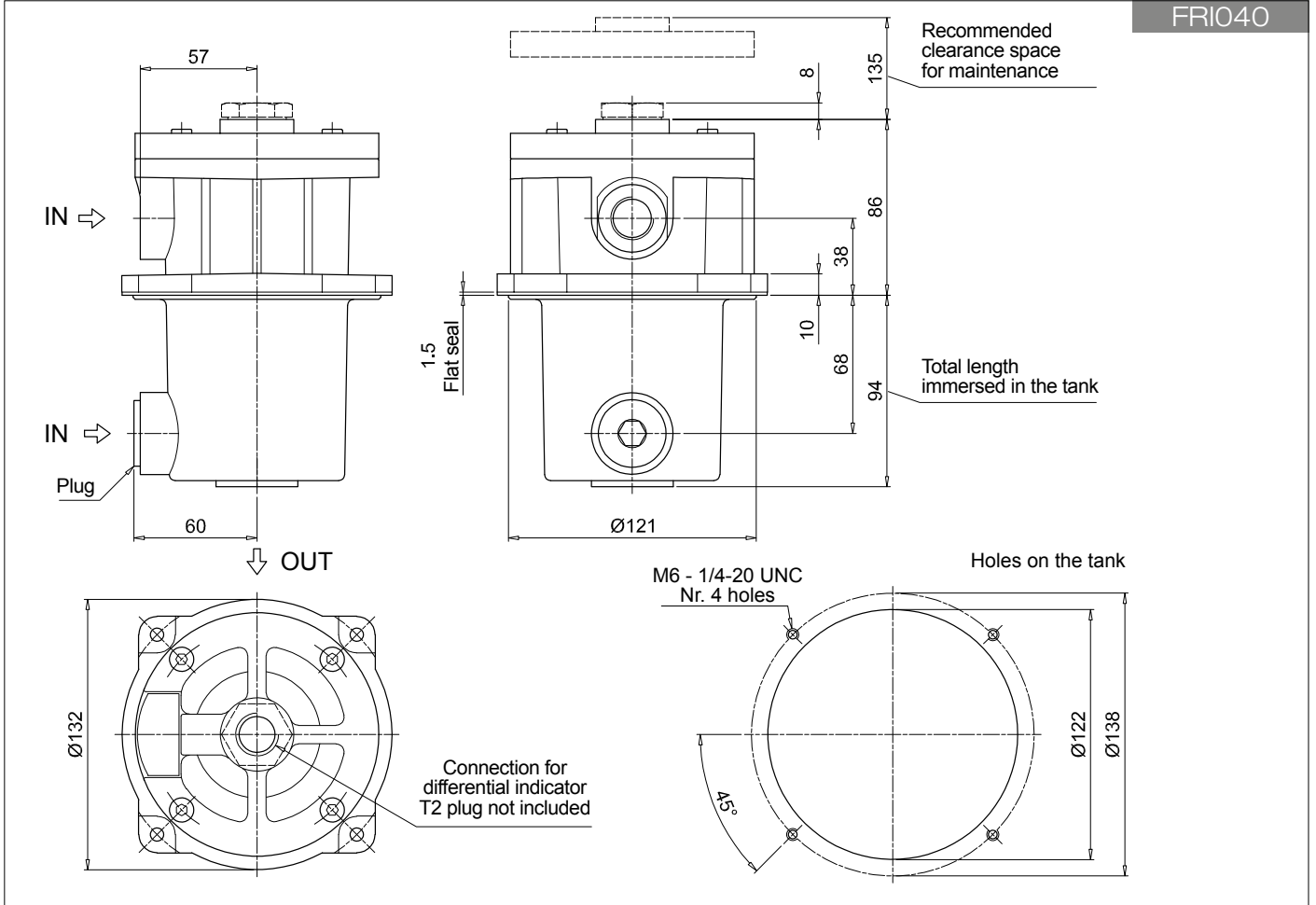
ACCESSORIES

Indicators	page		page
DEA Electrical differential indicator	242	DTA Electronic differential indicator	245
DEM Electrical differential indicator	242-243	DVA Visual differential indicator	245
DLA Electrical / visual differential indicator	243-244	DVM Visual differential indicator	245
DLE Electrical / visual differential indicator	244		
Additional features	page		
T2 Plug	246		

FRI025



FRI040



FRI FRI100 - FRI250 - FRI630

Designation & Ordering code

COMPLETE FILTER

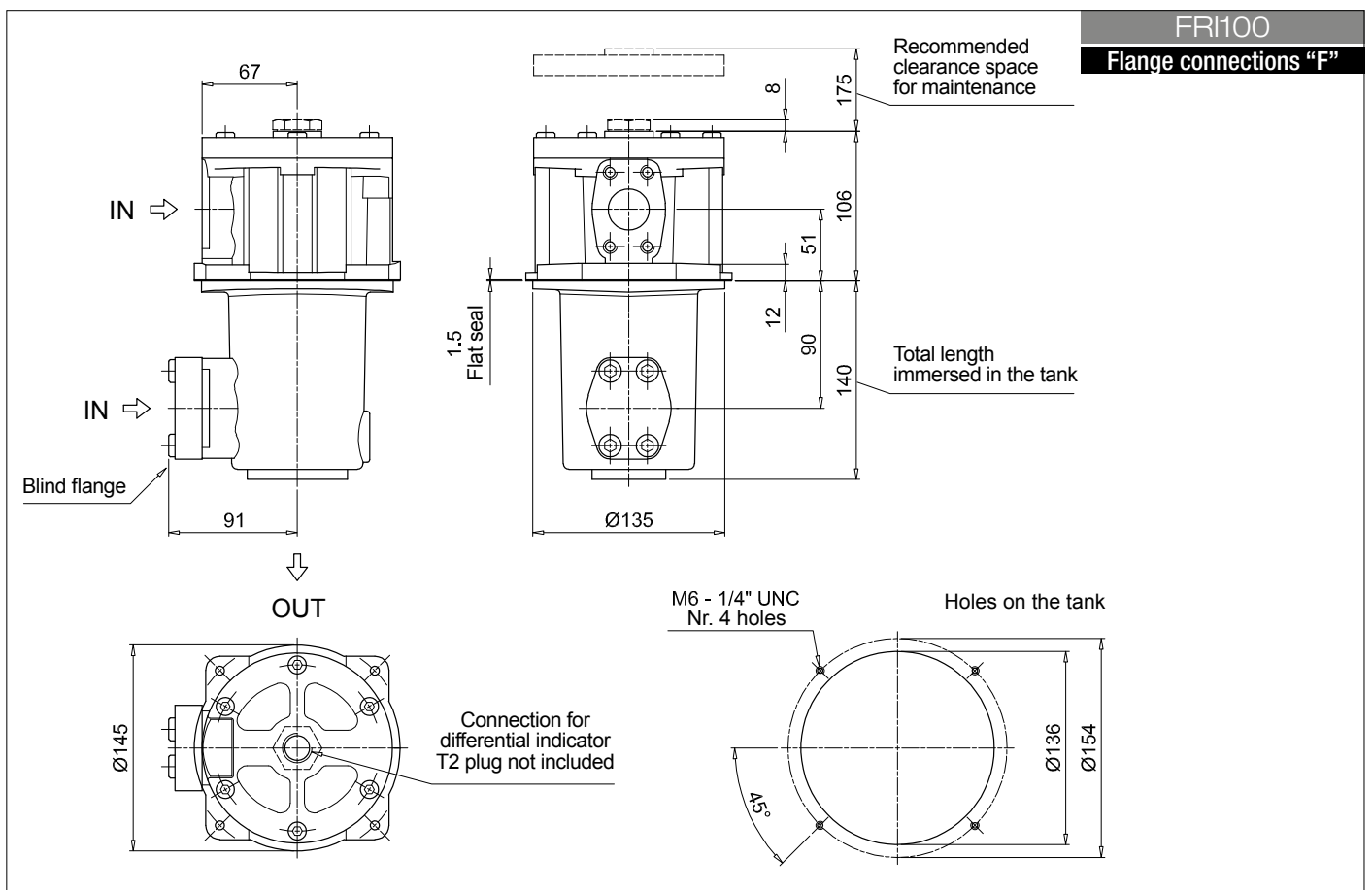
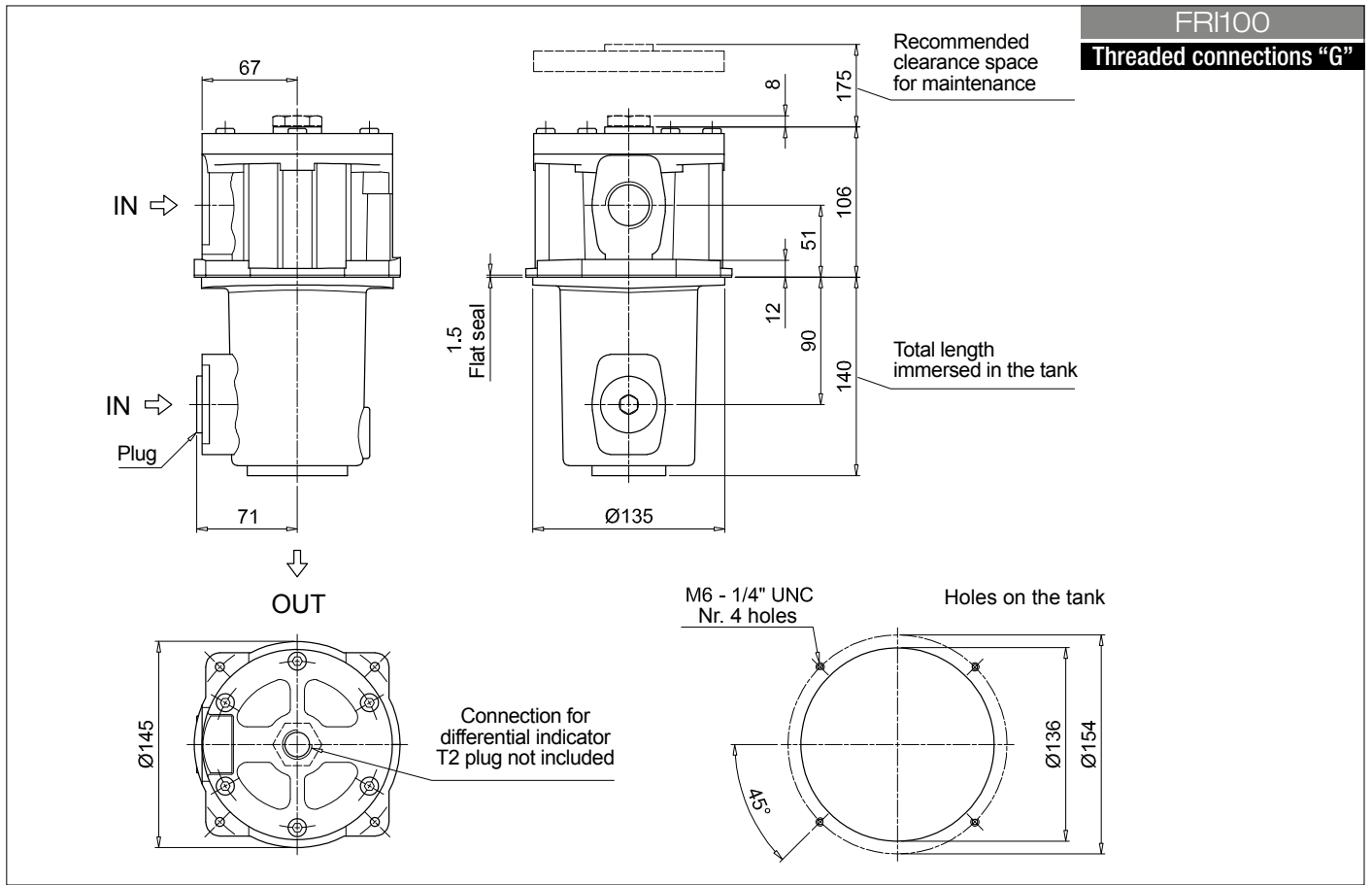
Series and size	Configuration example 1: FRI100 B A G1 A25 N P01						
FRI100	Configuration example 2: FRI630 S W F2 M25 N P01						
FRI250							
FRI630							
Bypass valve							
B	With bypass						
S	Without bypass						
Seals and treatments							
		Filtration rating					
A	NBR	Axx	Mxx	Pxx			
V	FPM						
W	NBR head anodized				filter element compatible with fluids HFA-HFB-HFC		
Z	FPM head anodized						
Connections for FRI100		Connections for FRI250		Connections for FRI630			
G1	G 1"	G1	G 1 1/2"	G2 2 1/2"			
G2	1" NPT	G2	1 1/2" NPT	G3 SAE 32 - 2 1/2" - 12 UN			
G3	SAE 16 - 1 5/16" - 12 UN	G3	SAE 24 - 1 7/8" - 12 UN	F1 1" SAE 3000 psi/M			
F1	1" SAE 3000 psi/M	F1	1 1/2" SAE 3000 psi/M	F2 1" SAE 3000 psi/UNC			
F2	1" SAE 3000 psi/UNC	F2	1 1/2" SAE 3000 psi/UNC				
Filtration rating (filter media)							
A03	Inorganic microfiber 3 µm	M25	Wire mesh 25 µm				
A06	Inorganic microfiber 6 µm	M60	Wire mesh 60 µm				
A10	Inorganic microfiber 10 µm	M90	Wire mesh 90 µm				
A16	Inorganic microfiber 16 µm	P10	Resin impregnated paper 10 µm				
A25	Inorganic microfiber 25 µm	P25	Resin impregnated paper 25 µm				
				Element Δp	Execution		
				N 10 bar	P01 MP Filtri standard		
					Pxx Customized		

FILTER ELEMENT

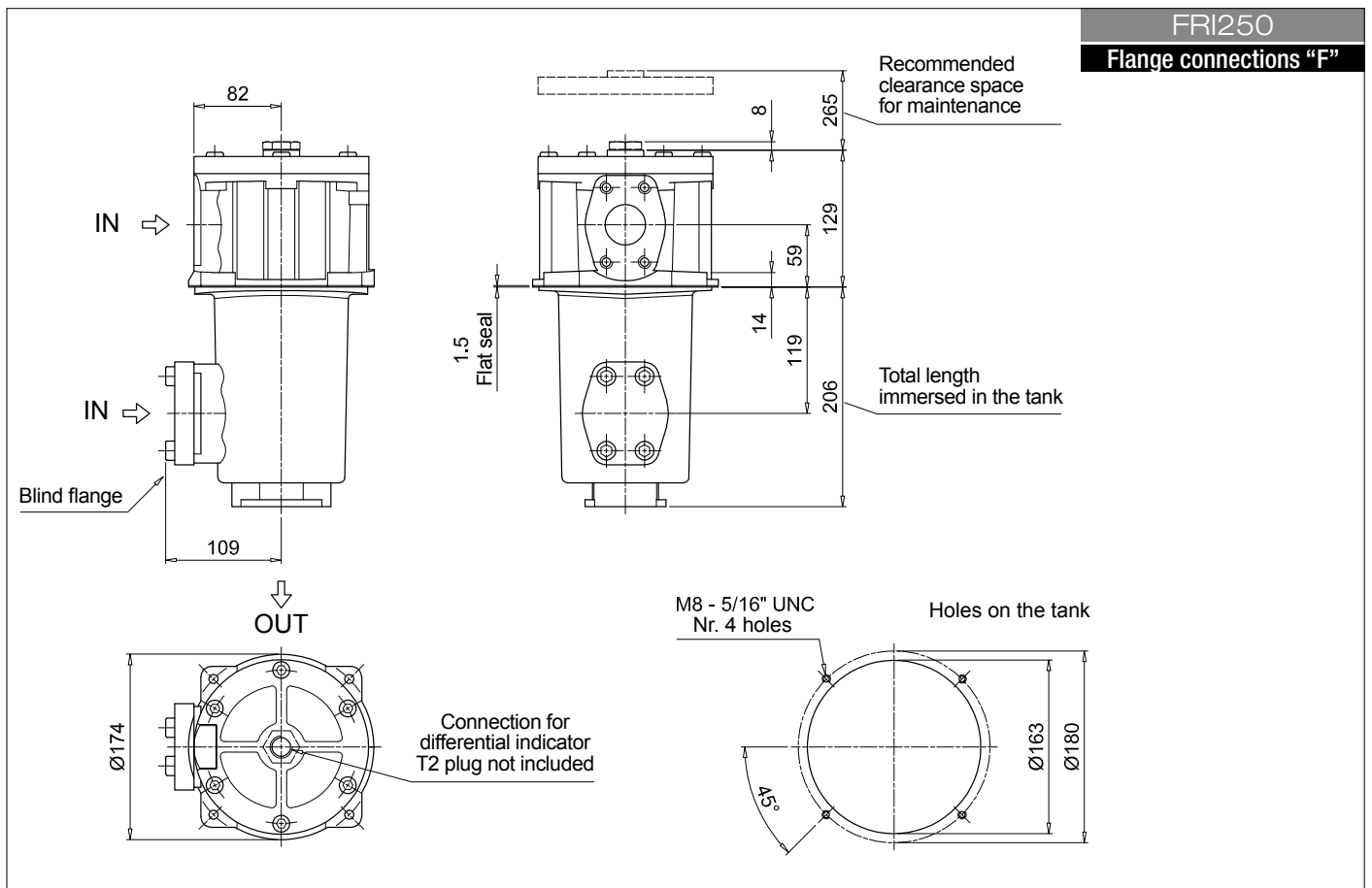
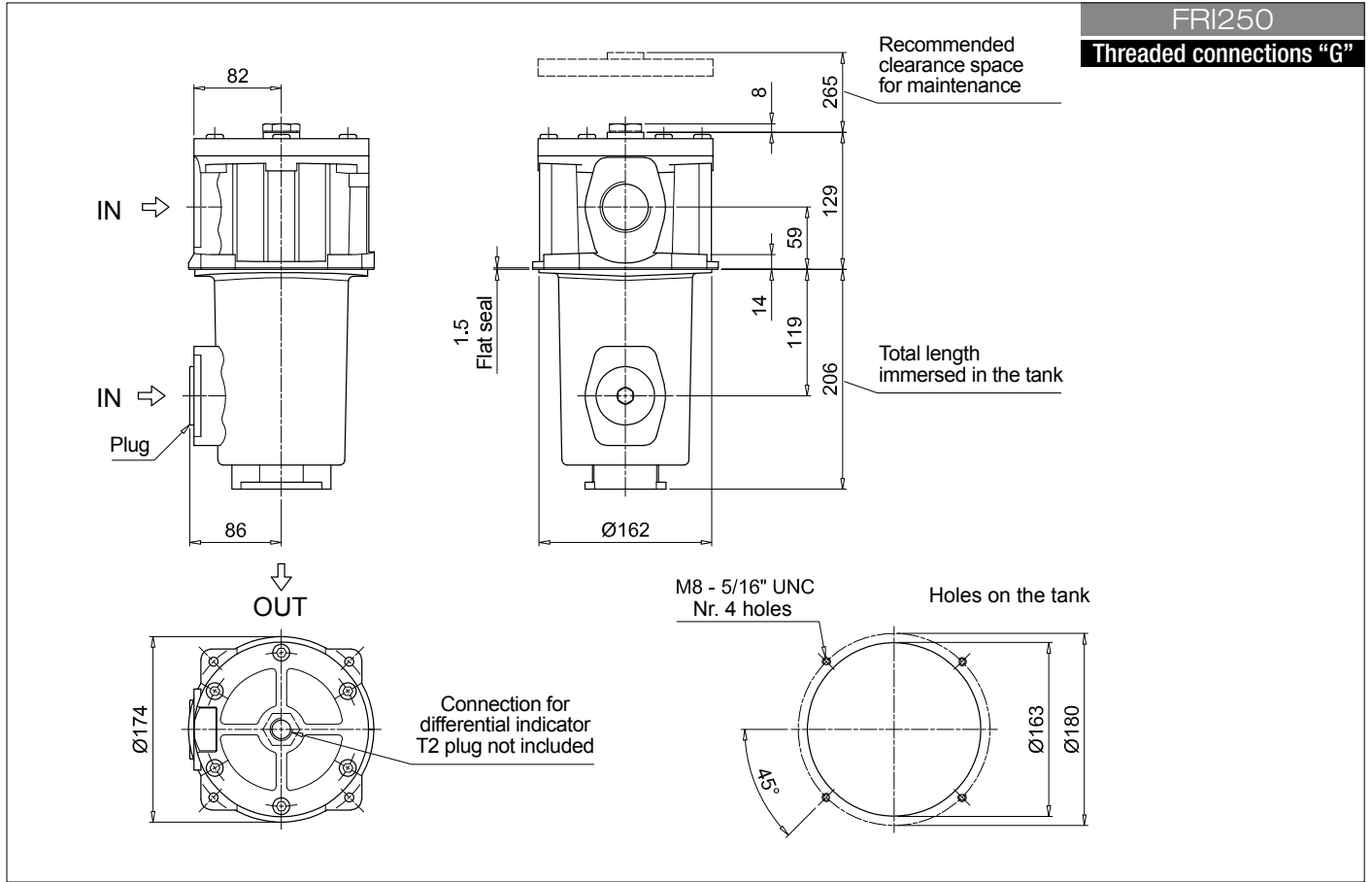
Element series and size	Configuration example 1: CU100 A25 N P01			
CU100	Configuration example 2: CU630 M25 W P01			
CU250				
CU630				
Filtration rating (filter media)				
A03	Inorganic microfiber 3 µm	M25	Wire mesh 25 µm	
A06	Inorganic microfiber 6 µm	M60	Wire mesh 60 µm	
A10	Inorganic microfiber 10 µm	M90	Wire mesh 90 µm	
A16	Inorganic microfiber 16 µm	P10	Resin impregnated paper 10 µm	
A25	Inorganic microfiber 25 µm	P25	Resin impregnated paper 25 µm	
Seals and treatments				
		Filtration rating		
N	NBR	Axx	Mxx	Pxx
V	FPM			
W	NBR			
Z	FPM			
				filter element compatible with fluids HFA-HFB-HFC
				Execution
				P01 MP Filtri standard
				Pxx Customized

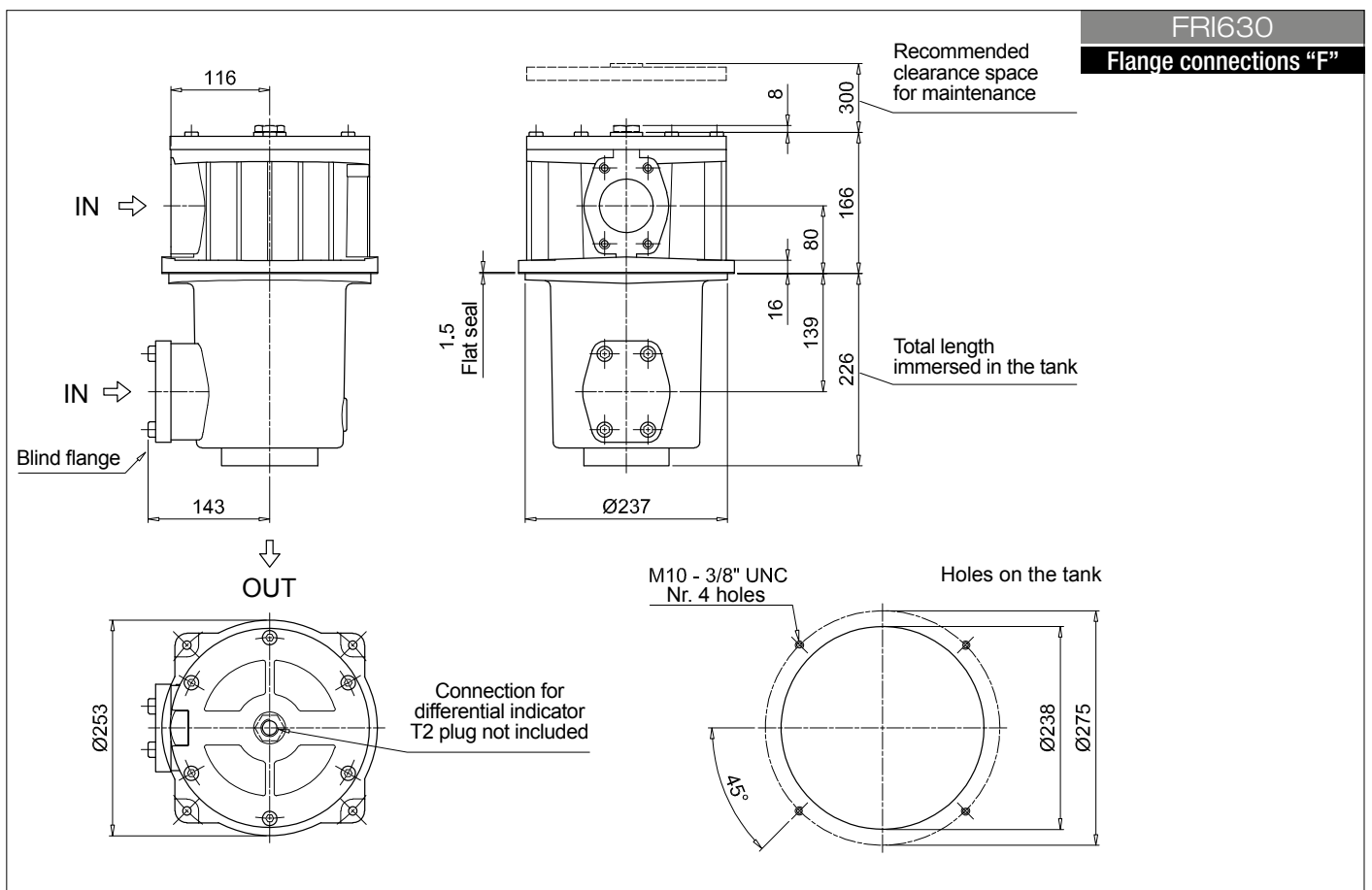
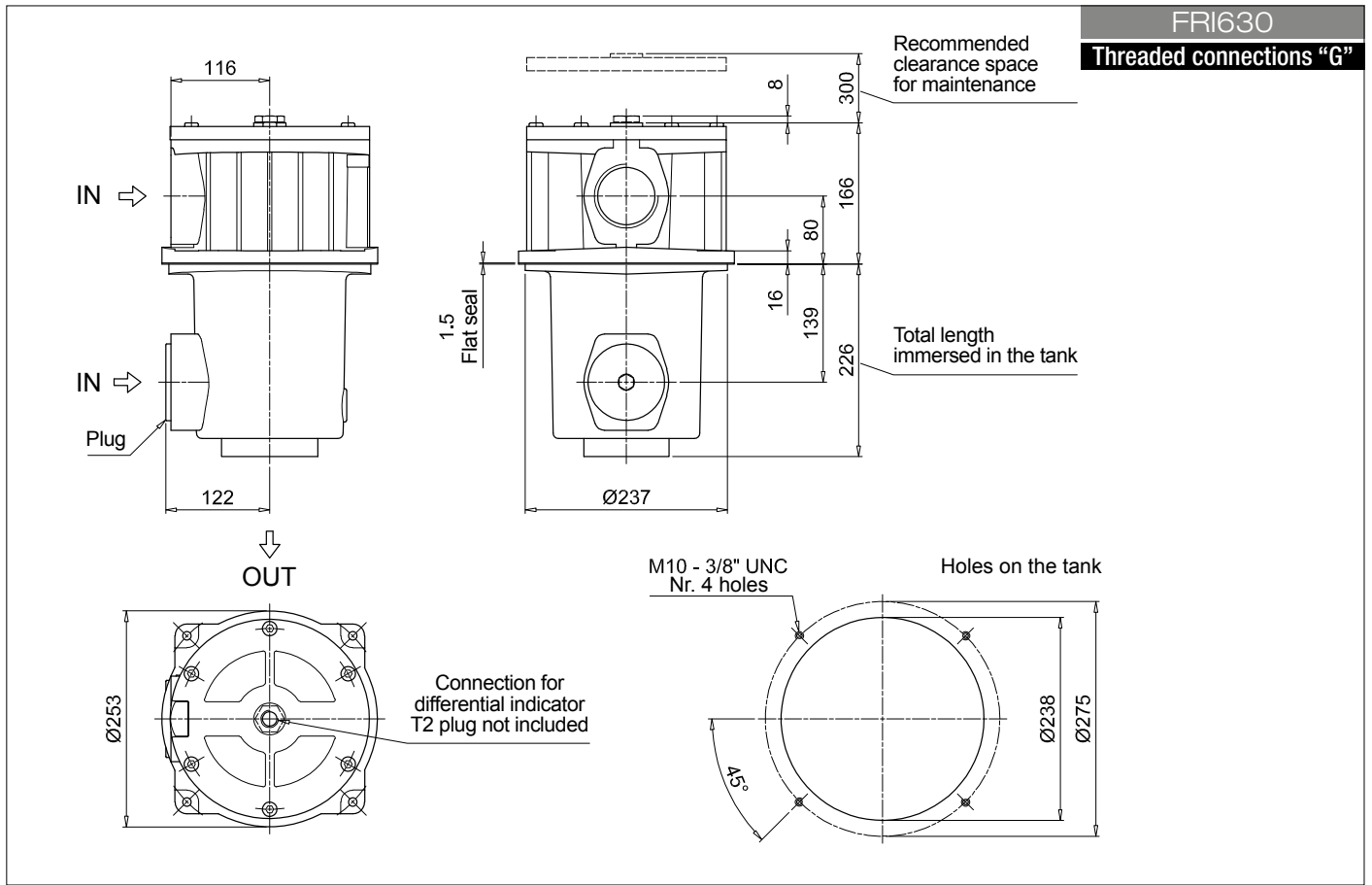
ACCESSORIES

Indicators	page		page
DEA Electrical differential indicator	242	DTA Electronic differential indicator	245
DEM Electrical differential indicator	242-243	DVA Visual differential indicator	245
DLA Electrical / visual differential indicator	243-244	DVM Visual differential indicator	245
DLE Electrical / visual differential indicator	244		
Additional features	page		
T2 Plug	246		



Dimensions





FRI FRI255 - FRI850

Designation & Ordering code

COMPLETE FILTER

Series and size	Configuration example 1: FRI255 S W F2 M25 N P01						
FRI255	Configuration example 2: FRI850 B A F1 A25 N P01						
FRI850							
Bypass valve							
B With bypass							
S Without bypass							
Seals and treatments	Filtration rating						
A NBR	Axx	Mxx	Pxx				
V FPM	•	•	•				
W NBR head anodized	•	•		filter element compatible with fluids HFA-HFB-HFC			
Z FPM head anodized	•	•					
Connections for FRI255	Connections for FRI850						
G1 G 1 1/2"				F1 3 1/2" SAE 3000 psi/M			
G2 1 1/2" NPT				F2 3 1/2" SAE 3000 psi/UNC			
G3 SAE 24 - 1 7/8" - 12 UN							
G4 G 1 1/4"							
G5 1 1/4" NPT							
G6 SAE 20 - 1 5/8" - 12 UN							
F1 1 1/2" SAE 3000 psi/M							
F2 1 1/2" SAE 3000 psi/UNC							
Filtration rating (filter media)							
A03 Inorganic microfiber 3 µm				M25 Wire mesh 25 µm			
A06 Inorganic microfiber 6 µm				M60 Wire mesh 60 µm			
A10 Inorganic microfiber 10 µm				M90 Wire mesh 90 µm			
A16 Inorganic microfiber 16 µm				P10 Resin impregnated paper 10 µm			
A25 Inorganic microfiber 25 µm				P25 Resin impregnated paper 25 µm			
				Element Δp	Execution		
				N 10 bar	P01 MP Filtri standard		
					Pxx Customized		

FILTER ELEMENT

Element series and size	Configuration example 1: CU250 M25 W P01						
CU250	Configuration example 2: CU850 A25 N P01						
CU850							
Filtration rating (filter media)							
A03 Inorganic microfiber 3 µm				M25 Wire mesh 25 µm			
A06 Inorganic microfiber 6 µm				M60 Wire mesh 60 µm			
A10 Inorganic microfiber 10 µm				M90 Wire mesh 90 µm			
A16 Inorganic microfiber 16 µm				P10 Resin impregnated paper 10 µm			
A25 Inorganic microfiber 25 µm				P25 Resin impregnated paper 25 µm			
Seals and treatments	Filtration rating						
N NBR	Axx	Mxx	Pxx				
V FPM	•	•	•				
W NBR	•	•		filter element compatible with fluids HFA-HFB-HFC			
Z FPM	•	•					
				Execution			
				P01 MP Filtri standard			
				Pxx Customized			

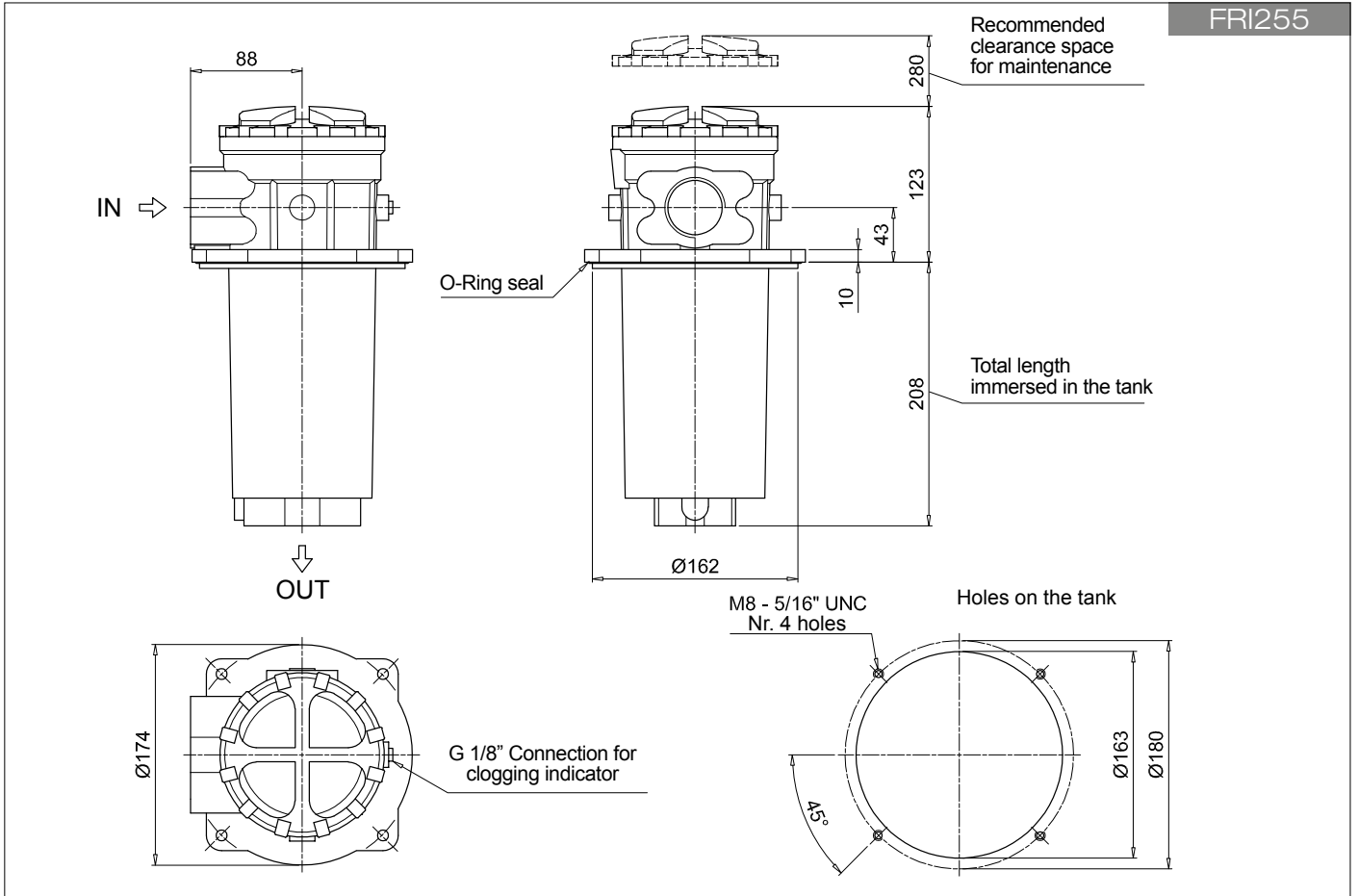
FRI255 ACCESSORIES

Indicators	page				page
BVA Axial pressure gauge	240	BEA Electrical pressure indicator			239
BVR Radial pressure gauge	240	BEM Electrical pressure indicator			239
BVP Visual pressure indicator with automatic reset	241	BLA Electrical / visual pressure indicator			239-240
BVQ Visual pressure indicator with manual reset	241				

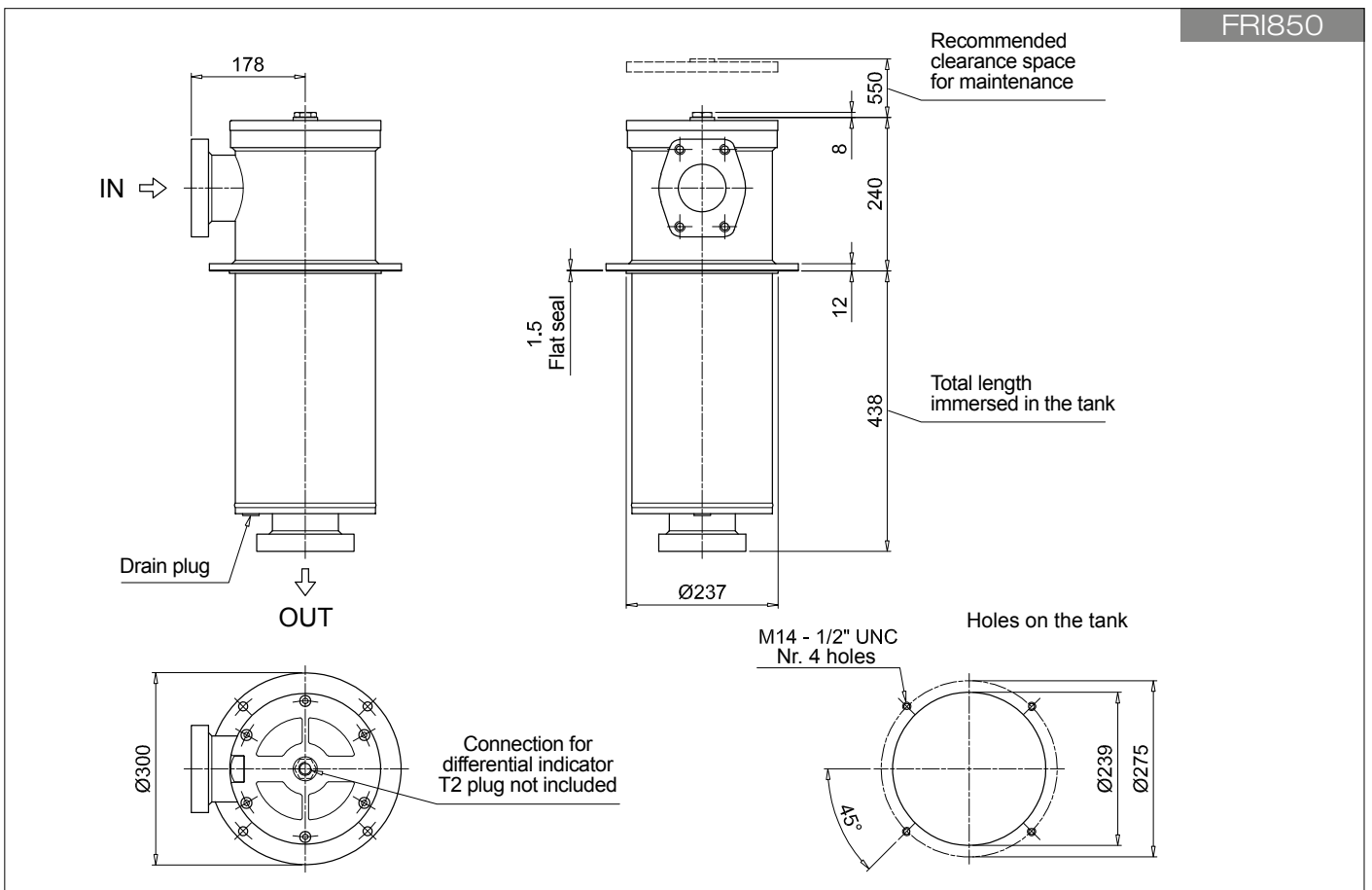
FRI850 ACCESSORIES

Indicators	page				page
DEA Electrical differential indicator	242	DTA Electronic differential indicator			245
DEM Electrical differential indicator	242-243	DVA Visual differential indicator			245
DLA Electrical / visual differential indicator	243-244	DVM Visual differential indicator			245
DLE Electrical / visual differential indicator	244				
Additional features	page				
T2 Plug	246				

FRI255



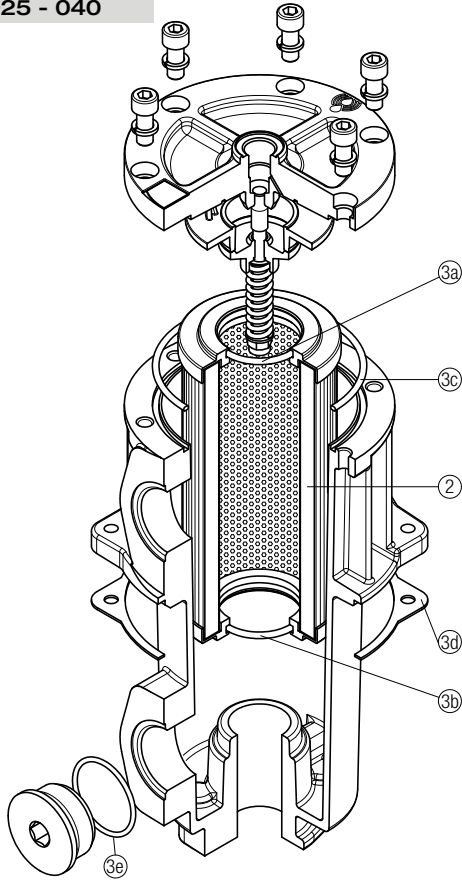
FRI850



FRI SPARE PARTS

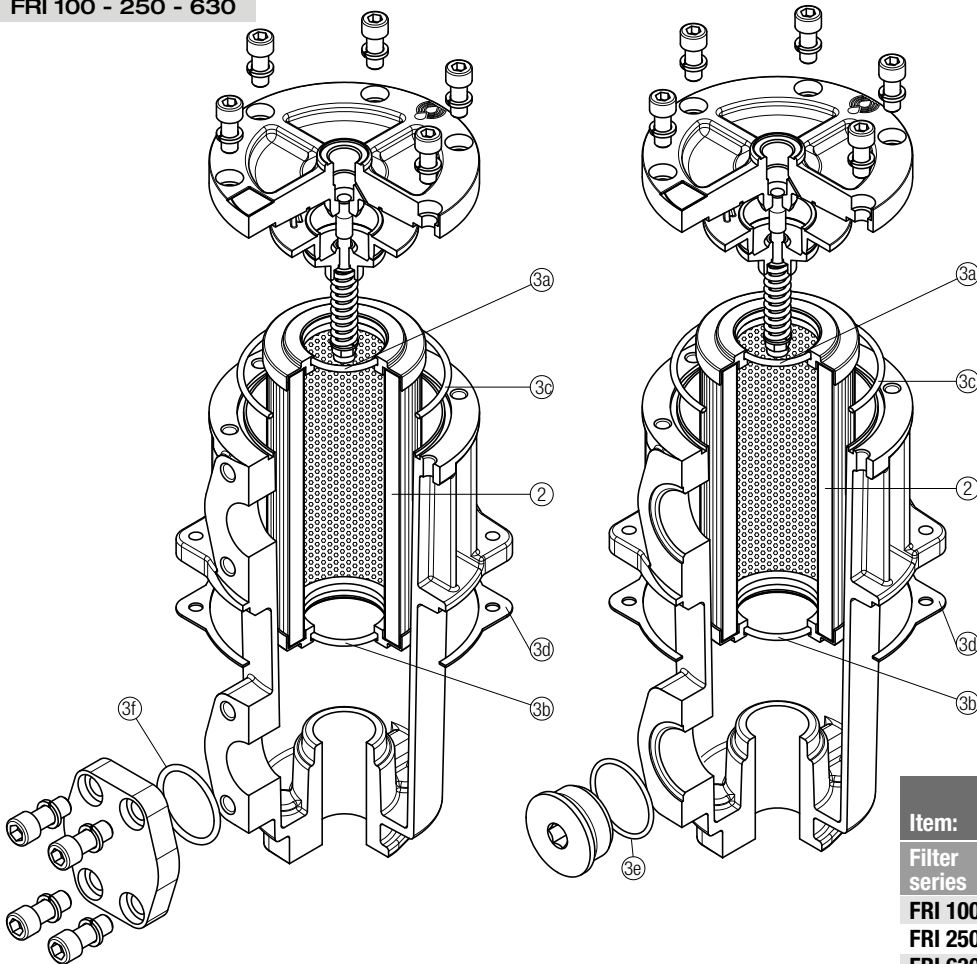
Order number for spare parts

FRI 025 - 040



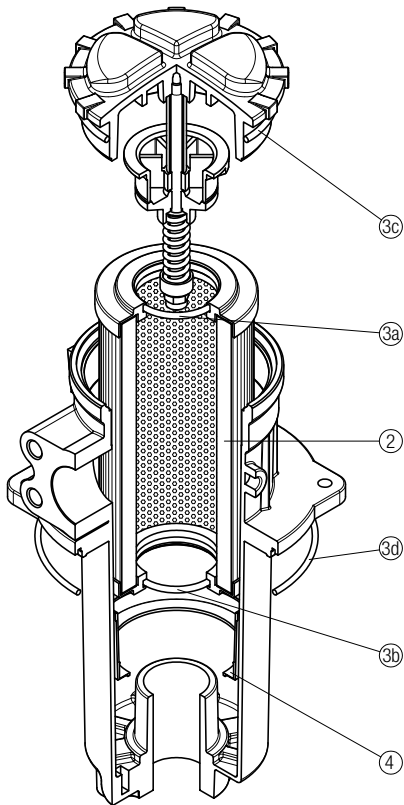
Item:	Q.ty: 1 pc.	Q.ty: 1 pc.	
	2	3 (3a ÷ 3e)	
Filter series	Filter element	Seal Kit code number	
		NBR	FPM
FRI 025	See order table	02050213	02050220
FRI 040		02050214	02050221

FRI 100 - 250 - 630



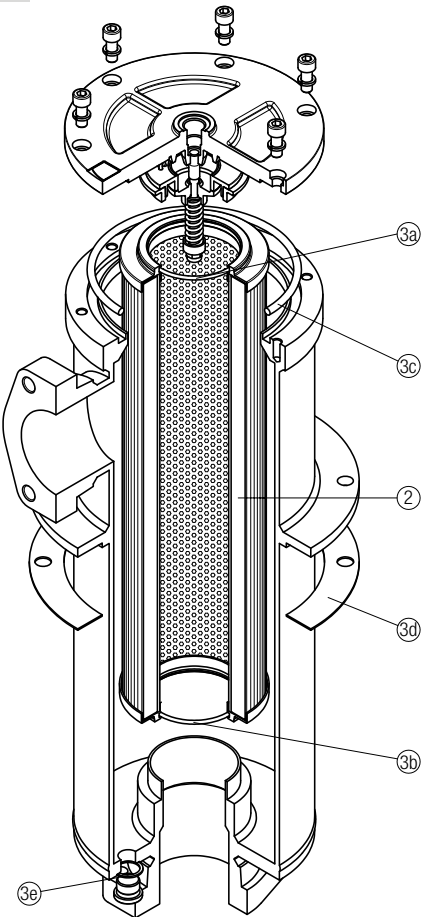
Item:	Q.ty: 1 pc.	Q.ty: 1 pc.	
	2	3 (3a ÷ 3f)	
Filter series	Filter element	Seal Kit code number	
		NBR	FPM
FRI 100	See order table	02050215	02050222
FRI 250		02050216	02050223
FRI 630		02050217	02050224

FRI 255



Item:	Q.ty: 1 pc.	Q.ty: 1 pc.	Q.ty: 1 pc.
	2	3 (3a ÷ 3d)	4
Filter series	Filter element	Seal Kit code number	
	See order table	NBR	FPM
FRI 255		02050013	02050014
		Contamination retainer binder	
		01060301	

FRI 850



Item:	Q.ty: 1 pc.	Q.ty: 1 pc.
	2	3 (3a ÷ 3e)
Filter series	Filter element	Seal Kit code number
	See order table	NBR
FRI 850		02050218
		FPM
		02050225